

# RotoForce-3

Instruction Manual



Manual No.: 15247000

Date of Release 30.01.2001







*RotoForce-3*  
*Instruction Manual*

<b>Table of Contents</b>	<b>Page</b>
<b>User's Guide</b> .....	<b>1</b>
<b>Reference Guide</b> .....	<b>15</b>
<b>Quick Reference Guide</b> .....	<b>23</b>

---

Always state *Serial No* and *Voltage/frequency* if you have technical questions or when ordering spare parts. You will find the *Serial No.* and *Voltage* on the type plate of the machine itself. We may also need the *Date* and *Article No* of the manual. This information is found on the front cover.

The following restrictions should be observed, as violation of the restrictions may cause cancellation of Struers legal obligations:

**Instruction Manuals:** Struers Instruction Manual may only be used in connection with Struers equipment covered by the Instruction Manual.

**Service Manuals:** Struers Service Manual may only be used by a trained technician authorised by Struers. The Service Manual may only be used in connection with Struers equipment covered by the Service Manual.

Struers assumes no responsibility for errors in the manual text/illustrations. The information in this manual is subject to changes without notice. The manual may mention accessories or parts not included in the present version of the equipment.

The contents of this manual is the property of Struers. Reproduction of any part of this manual without the written permission of Struers is not allowed.

All rights reserved. © Struers 2001.

**Struers A/S**  
Valhøjs Allé 176  
DK-2610 Rødovre/Copenhagen  
Denmark  
Telephone +45 36 70 35 00  
Fax +45 38 27 27 01

---





## **RotoForce-3**

### **Safety Precaution Sheet**

#### **To be read carefully before use**

1. The operator should be fully aware of the use of the machine according to the Instruction Manual. The machine must be placed in an adequate working position.
2. Be sure that the actual voltage corresponds to the voltage stated on the back of the machine. The machine must be earthed.
3. The specimen holder disc must be clamped in the quick coupling prior to starting the machine. RotoForce-3 must be correctly and securely mounted on the grinding/polishing machine.
4. Do not touch the rotating parts during operation.
5. If you observe malfunctions or hear unusual noises - stop the machine and call technical service.
6. Blue lubricant: follow the current safety rules for handling, mixing, filling, emptying and disposal of the alcohol-based lubricant.

---

The equipment is designed for use with consumables supplied by Struers. If subjected to misuse, improper installation, alteration, neglect, accident or improper repair, Struers will accept no responsibility for damage(s) to the user or the equipment.

Dismantling of any part of the equipment, during service or repair, should always be performed by a qualified technician (electromechanical, electronic, mechanical, pneumatic, etc.).

---



# User's Guide

Table of Contents	Page
<b>1. Getting Started</b>	
Checking the Contents of Packing .....	2
Unpacking of RotoForce-3 .....	2
Getting Acquainted with RotoForce-3.....	2
Installation.....	3
RotoForce-3 on RotoPol-31.....	3
RotoForce-3 on RotoPol-21/22/25 or on Rotopol-1/-2/-V .....	3
Connecting RotoForce-3.....	4
Electrical Connection.....	4
Connection to Compressed Air .....	4
Connection to the Preparation Equipment .....	4
Choosing between Menus .....	5
Setting the Language.....	6
Mounting Lupo.....	7
<b>2. Operation</b>	
Using the Controls.....	8
Front Panel Controls of RotoForce-3 and Lupo .....	8
Front Panel Controls .....	9
RotoForce-3 .....	9
Lupo.....	9
Location of Main Switch .....	10
General Use of Keys .....	10
Acoustic Signals.....	10
The Handle.....	10
Changing to Another Lupo Unit (Accessory) .....	10
Changing Lubricant Type / Refilling.....	11
Running a Preparation Method.....	12
Inserting a Specimen Holder .....	12
Adjusting the Position of RotoForce-3.....	12
Adjusting the Force.....	12
Adjusting the Preparation Time.....	13
Operation of Lupo .....	13
Operation of RotoForce-3.....	13



## 1. Getting Started

### Checking the Contents of Packing

In the packing box you should find the following parts:

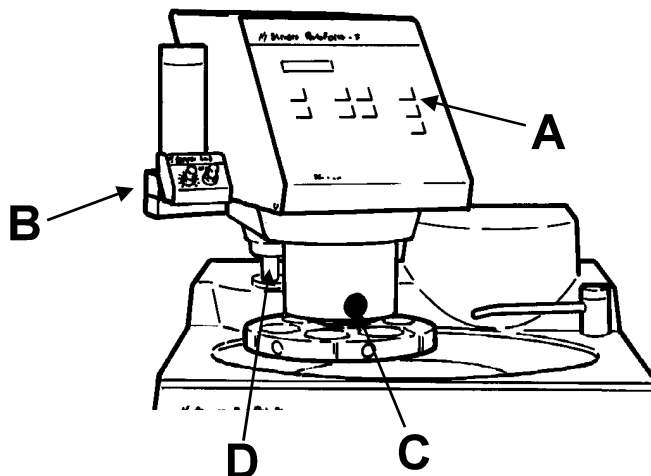
- 1 RotoForce-3
- 1 Lupo automatic drip lubricator
- 1 Silicone tube
- 1 Pressure hose, 3 m
- 2 Hose clamps
- 1 Hose clamp
- 1 Quick coupling
- 1 Hose nipple
- 1 Screw M5x10 with washer
- 1 Socket spanner
- 1 Allen key
- 1 Set of Instruction manuals

### Unpacking of RotoForce-3

Remove RotoForce-3 from the transportation box. Save the nut and the washer holding RotoForce-3. They are to be re-used when mounting RotoForce-3 on RotoPol-21/-22/-25 or Rotopol-1/-2/-V.

### Getting Acquainted with RotoForce-3

Take a moment to familiarise yourself with the location and names of the RotoForce-3 components.



*RotoForce-3 on RotoPol-31 (optional)*

- A Control keys and display
- B Lupo drip lubricator
- C Release knob
- D Supporting column and stop ring

## **Installation**

### *RotoForce-3 on RotoPol-31*

- Lift off the cap covering the supporting hole placed on the top of the RotoPol-31 cabinet with a knife.
- Likewise remove the two caps covering the fastening screws on the left-hand side of the RotoPol cabinet.
- Remove the black stop ring from the supporting column of RotoForce-3.
- Lead the supporting column of RotoForce-3 down into the supporting hole in RotoPol-31. Turn the column until the cross pin in the bottom of the column gets caught by the guiding slots inside RotoPol-31.
- Tighten the two fastening screws on the left-hand side of the RotoPol-31 cabinet and cover the screws again with the two caps.

### *RotoForce-3 on RotoPol-21/22/25 or on Rotopol-1/-2/-V*

- Place two working tables of equal height at a distance about half the length of RotoPol. Place RotoPol between the tables, carefully balancing the machine, until it stands firmly between the tables.

***Take care!***

A RotoPol machine equipped with a RotoForce weights over 50 kg!

- *RotoPol-21/-22/-25:* Remove the cap covering the supporting hole between the two turntables.  
*RotoPol-1/-2/-V:* The transportation case for RotoPol includes a printed template. Punch out the pre-cast hole in RotoPol with a round-headed hammer as follows: strike the circle on the template marked *RotoForce-3* with a firm blow. Remove the template when the hole opens.
- Lead the supporting column of RotoForce-3 down into the supporting hole of RotoPol.
- Turn the column until the cross pin in the bottom of the column gets caught by the guiding slots inside RotoPol.
- Fasten the nut and washer from the transportation box tightly under the column of RotoForce-3 below RotoPol.

## **Connecting RotoForce-3**

RotoForce-3 is supplied with electric cable, air hose and connection cable.

### *Electrical Connection*

Mount a plug on the cable or connect directly to mains:

Black and brown: phase

Yellow/green: earth

***IMPORTANT***

Check that the mains voltage corresponds to the voltage stated on the type plate on the back of the machine.

Check that the specimen holder rotates anti-clockwise.

### *Connection to Compressed Air*

- Mount an air hose on the enclosed quick coupling and secure with the enclosed hose clamp.
- Connect the quick coupling to the factory-mounted air hose of RotoForce-3.

***IMPORTANT***


The air pressure must be between 5 bar (73 psi) and 6.5 bar (95 psi)  
The air must not contain water, oil or particles. If necessary, a pressure regulator/filter unit must be installed between air supply and RotoForce.

### *Connection to the Preparation Equipment*

*RotoPol alone:* Connect the communication cable to the back of RotoPol (see the Instruction Manual of RotoPol).

*RotoPol with Multidoser and/or RotoCom:* Connect the communication cable to the back of Multidoser (see the Instruction Manual of Multidoser)

**Choosing between Menus**

Press the MENU  key to move from one screen to another:

LANGUAGE  
ENGLISH



COMMUNICATION  
STANDARD



FORCE REDUCTION  
NO

## Setting the Language

150N 01:00  
STOP




LANGUAGE  
ENGLISH



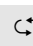
SPRACHE  
DEUTSCH




150N 01:00  
STOP

Press MENU  to activate the set-up menu.

The LANGUAGE screen appears.

Press SELECT  to choose English, German, French or Japanese.

Press STOP  to accept the choice. The Operation Menu will appear again in the language you have chosen.

Remember to set the same language on all the connected RotoSystem modules.

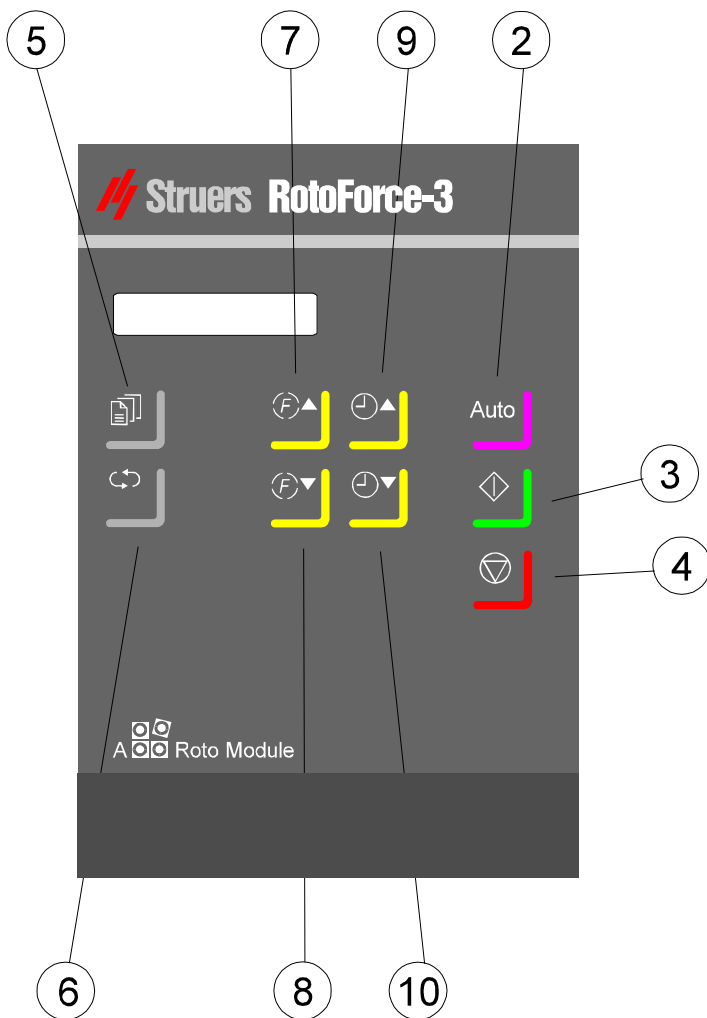
## **Mounting Lupo**

- Remove Lupo from its box
- Guide Lupo onto the connector on the supporting arm on RotoForce-3.
- Connect the nipple on Lupo to the nozzle underneath RotoForce-3 with the enclosed silicone tube.
- Remove the top lid of the bottle and fill with lubricant.
- Re-mount the top lid, and Lupo is ready for use.

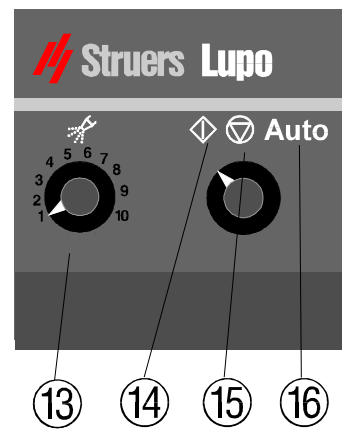
## 2. Operation

Using the Controls  
Front Panel Controls of  
RotoForce-3 and Lupo

### RotoForce-3


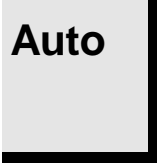
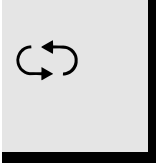
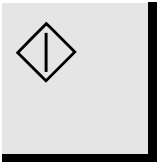
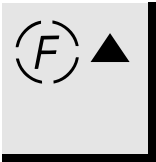
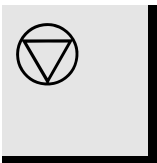
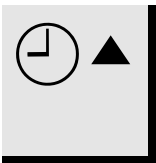


### Lupo

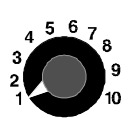





*RotoForce-3  
Instruction Manual*

**Front Panel Controls**  
*RotoForce-3*

Name	Key	Function	Name	Key	Function
① MAIN SWITCH		The main switch is located on the back of RotoForce-3. Turn clockwise to switch on the power.	⑤ MENU		Activates the set-up menu or moves down in the menu structure.
② AUTO		Turns Auto mode on or off (communication between the modules in the RotoSystem).	⑥ SELECT		Change the parameter of the installation menu.
③ START		Starts RotoForce-3.	⑦ ⑧ FORCE		Select FORCE: ▲ Increases the force ▼ Decreases the force
④ STOP		Stops RotoForce-3 Exits the set-up menu.	⑨ ⑩ TIME		Select TIME: ▲ Increases the time ▼ Decreases the time

*Lupo*


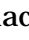


Name	Key	Function	Name	Key	Function
⑬ DOSING SWITCH		Switches between different step dosing levels.	⑭ START		Manual start of Lupo. When not in Auto mode Lupo can be used for manual pre-dosing.
(⑭, ⑮, ⑯) CONTROL SWITCH		Switches between Auto, Start and Stop mode. Lupo is supplied with power direct from RotoForce-3 and does not need a separate power switch.	⑮ STOP		Manual stop of Lupo. This mode does not stop neither RotoForce-3 nor the grinding/polishing machine.
			⑰ AUTO	<b>Auto</b>	When Auto mode is active start and stop of Lupo is controlled from RotoForce-3. When RotoForce-3 is started/stopped Lupo also starts/stops.



**Location of Main Switch**

- ① The main switch is located on the back of RotoForce-3.

**General Use of Keys**

- MENU , and SELECT  can only be activated when the machine has been stopped.
- SELECT  can only be activated when MENU  is selected.

*Acoustic Signals*

When pressing a key, a short beep indicates that the command has been accepted, whereas a long beep indicates that the key cannot be activated at the moment.


**The Handle**

The handle of RotoForce-3 is used to lock it in working position.



*Handle in Top Position:* when the handle is moved up into its top position, RotoForce-3 can be moved horizontally and placed correctly over the preparation disc.

*Handle in Bottom Position:* when RotoForce-3 is positioned correctly, move the handle down to lock RotoForce-3 in its working position.

**Changing to Another Lupo Unit (Accessory)**

- Set the mode switch on Lupo to STOP  position.
- Remove the current Lupo. Remove the silicon tube from the nipple underneath Lupo.
- Place the other Lupo (accessory) with an alternative lubricant in the connector on the supporting arm. Connect the silicone tube to the nipple.

**Changing Lubricant Type /  
Refilling**

- Set the mode switch on Lupo to STOP  position.
  - Remove Lupo from RotoForce-1.
  - Hold the Lupo lubricant bottle firmly and remove the top lid.
  - Empty the bottle, still mounted on Lupo, of any remaining lubricant.
    - Fill the bottle with mild, soapy water.
    - Put Lupo back on the supporting arm.
    - Set the mode switch on Lupo to START .
    - Set the dosing control to max. dosing (step 10) and let the water run through the nozzle for 2-3-min.
- Repeat the above points but fill with tap water to rinse out any soap residue.
- Refill with lubricant and remount the top lid.

***IMPORTANT***

Always avoid turning the socket cap while unscrewing the Lupo bottle, as the turning movement may cause damage to the socket cap gasket.

## Running a Preparation Method

### Inserting a Specimen Holder

- Place the specimen holder under the quick coupling.
- Press and hold the release button on the column of RotoForce-3, while guiding the pressure tap of the specimen holder into the coupling.
- Turn the specimen holder until the three pins engage in the corresponding holes.
- Release the button.

### Adjusting the Position of RotoForce-3

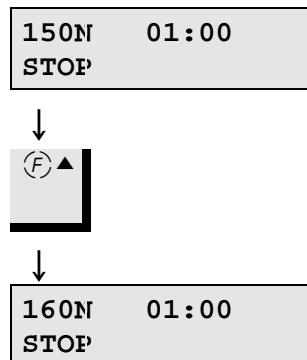
The position of the specimen holder must be adjusted correctly in relation to the preparation disc to achieve the best possible preparation results. This is done by moving RotoForce-3 horizontally.

- Generally the specimen holder should be positioned so that the specimens run close to the periphery of the preparation disc. A distance of about 2-4 mm is appropriate.
- There are three exceptions only: Grinding paper with double adhesive back, disc with magnetic backing and Petrodisc-M. In all three cases, the specimens should be protruding over the edge.

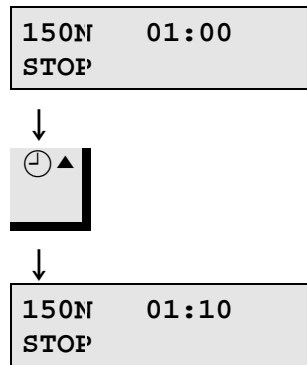
*NB:* In the case of Petrodisc-M, the specimens should protrude over the centre of the disc as well. This is done to achieve the best possible planeness of the specimen, and to maintain the planeness of Petrodisc-M

### Adjusting the Force

Press FORCE  $\hat{F}$ ▲ or  $\hat{F}$ ▼ to adjust the force to the desired value.



*Adjusting the Preparation Time* Press TIME ⊖▲ or ⊖▼ to adjust the preparation time.



#### **Operation of Lupo**

- Adjust the dosing level
- Set Lupo to Auto mode

#### **Operation of RotoForce-3**

- After setting the correct time and force on RotoForce-3 and the dosing level on Lupo, press Auto on RotoForce-3.
- Press START ◊ on the RotoPol grinding/polishing machine to start both machines simultaneously.
- When the pre-set time has elapsed, all machines will stop simultaneously.

*RotoForce-3*  
*Instruction Manual*

# Reference Guide

Table of Contents	Page
<b>1. Force Reduction</b> .....	16
<b>2. Accessories</b> .....	17
<b>3. Trouble-shooting</b> .....	19
<b>4. Maintenance</b>	
Daily .....	20
Weekly .....	20
RotoForce .....	20
Lupo .....	20
<b>5. Technical Data</b> .....	21

## 1. Force Reduction

RotoForce-3 is equipped with the possibility of automatic reduction of the force towards the end of the preparation.

If FORCE REDUCTION is enabled, the force will automatically be reduced from the actual value down to 5 N during the last 30 seconds of the preparation step. This will result in lower material removal and smaller scratches than usual. The time for the subsequent preparation steps can be reduced as the amount of damaged material to be removed will be reduced.

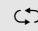
1500N 04:00  
STOP



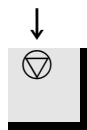
Press MENU  until you reach the FORCE REDUCTION screen.


FORCE REDUCTION  
NO



Press SELECT  to toggle between NO and YES.

FORCE REDUCTION  
YES



Press STOP  to accept the choice. Operation Menu will appear again.

150N 04:00  
STOP

## 2. Accessories

Specification	Code
<p><i>Specimen holder, ø 140 mm</i> for 6 specimens, ø 10-32 mm, aluminium for 6 specimens, ø 10-32 mm, stainless steel for 4 specimens, ø 10-40 mm, aluminium for 4 specimens, ø 10-40 mm, stainless steel</p>	<p>PEDAL PEDST PEDFI PEDIS</p>
<p><i>Specimen Holders ø 160 mm</i> for 6 specimens, each ø 25 mm/1", aluminium for 6 specimens, each ø 30 mm, aluminium for 6 specimens, each ø 1.1/4", aluminium for 4 specimens, each ø 40 mm, aluminium for 4 specimens, each ø 1.2", aluminium</p>	<p>MAXTO MAXUM MAXQU MAXLI MAXHA</p>
<p><i>Specimen Holders ø 160 mm</i> for 6 specimens, ø 12-40 mm, stainless steel for 6 specimens, ø 12-40 mm, aluminium for 12 specimens, ø 10-25.5 mm, stainless steel for 6 flat specimens (max. 34x60 mm), stainless steel for 6 specimens, ø30 or 22x44 mm, stainless steel for 3 flat specimens (max. 41x72 mm), stainless steel With 3 clamps for wire or plate (max. 24 x 52 mm) stainless steel</p>	<p>MAXCY MAXLU MAXDU MAXYK MAXIB MAXDI MAXAB</p>
<p><i>Specimen Holders ø 160 mm without Holes</i> plane, solid specimen holder for adhesion of specimens or for custom-made shapes Stainless steel Aluminium</p>	<p>MAXSO MAXAS</p>
<p><i>Specimen Holders ø 200</i> for 5 specimens, ø 27-55 mm, stainless steel for 3 specimens up to ø 70 mm or one specimen up to ø 180 mm, stainless steel for 3 flat specimens (max. 53 x 70 mm), stainless steel</p>	<p>MAXUK MAXRU MAXOT</p>
<p><i>Specimen Holders ø 200 mm without Holes</i> plane, solid specimen holder for adhesion of specimens or for custom-made shapes Stainless steel Aluminium</p>	<p>MAXON MAXAN</p>








*RotoForce-3*  
*Instruction Manual*

<b>Specification</b>	<b>Code</b>
<i>Uniforce, basic model</i> Device for levelling of specimens in specimen holders ø 140, 160, and 200 mm	MAXWI
<i>Uniforce, advanced model</i> With pressure foot for positioning the specimens	MAXFU
<i>Uniforce extension kit</i> Pressure foot for positioning the specimens	MAXMO
<i>Levelling Device for levelling of Specimens</i> In specimen holders 140 mm dia.	PEDFU
LUPO, optional extra drip lubricator	PEDNY

***Remember...***  
Struers offers a comprehensive range of consumables for both grinding and polishing. Please ask for separate leaflets.

### 3. Trouble-shooting

Display/Error	Cause	Action
<b>RotoForce-3</b>		
OVERLOAD	RotoForce-3 is stopped due to overloading of the motor.	Wait for the motor to cool down and the PAUSE/OVERLOAD message will appear on the display.
PAUSE/ OVERLOAD	The motor has cooled down after overloading and RotoForce-3 is ready for use.	Restart RotoForce-3.
PAUSE/ NO AIR	Air pressure too low.	Supply correct air pressure and restart.
LOCK HANDLE	The handle has not been pulled and RotoForce-3 is at the moment unlocked.	Lower handle.
Japanese Texts	RotoForce-3 has the possibility of showing the screen texts in Japanese. When choosing a European language in the LANGUAGE menu, you might accidentally press  MENU at the Japanese option.	To return to English, German or French texts, just follow this procedure: <ul style="list-style-type: none"> <li>■ Press STOP .</li> <li>■ Press MENU  two times.</li> <li>■ Press SELECT  until you reach the language you prefer.</li> <li>■ Press STOP .</li> </ul>
<b>Lupo</b>		
Bad or missing dosing	Dosing nozzle clogged.	Clean the nozzle with alcohol.
Lubricant leaking below the bottle	The bottle has not been fastened correctly	Fasten tightly. <b>Remember</b> to hold back the socket cap itself to avoid damage to the bottom gasket



## **4. Maintenance**

### **Daily**

Clean all accessible surfaces of the machine with a moist cloth



### **Weekly**

#### *RotoForce*

- Unlock RotoForce-3.
- Press START  twice.
- Clean the coupling with a clean cloth. An acid-free oil is recommended for the lubrication of the coupling to secure easy movement.
- Press STOP  to return the coupling into the cylinder.

#### *Lupo*

To avoid clogging of the Lupo nozzle, you should clean the nozzle once a week:

- Set the mode switch on Lupo to STOP  position.
- Remove Lupo from the supporting arm.
- Hold the Lupo lubricant bottle firmly and remove the top lid.
- Empty the bottle, still mounted on Lupo, of any remaining lubricant.
  - Fill the bottle with mild, soapy water.
  - Put Lupo back on the supporting arm.
  - Set the mode switch on Lupo to START .
  - Set the dosing control to max. dosing (step 10) and let the water run through the nozzle for 2-3-min.
  - Repeat the above points but fill with tap water to rinse out any soap residue.
  - Refill with lubricant and remount the top lid.

## 5. Technical Data

Subject			Specifications	
			Metric/International	US
Disc	Rotational speed		150 rpm	150 rpm
	Motor output 50/60Hz		90/80W	0.11/0.12HP
	Torque at disc	Continuous 50/60HZ	5.1/5.3Nm	3.8/3.9lb-ft
		Max. 50/60HZ	12.6/12.9Nm	9.3/9.5lb-ft
	Air pressure		6 bar	6 bar
Specimens	Force on specimen holder		30-400 N in 10N steps	30-400 N in 10N steps
	Lifting force, upwards		max. 60N	max. 60N
Dimensions and Weight	Width		270 mm	10.6"
	Depth		450 mm	17.7"
	Height		500 mm	19.7"
	Weight		25 kg	55.1 lbs

Subject		Specifications
Software and electronics	LC display	2x16 characters
	Controls	Touch pad
	Memory	EPROM, RAM and non-volatile RAM
	Automatic start/stop	With: Lupo
	Communication including automatic start/stop	With: RotoPol-21/22/25 Multidoser
	Data exchange	With: RotoCom
Environment	Safety Standards	General 89/392/EEC & 91/386/EEC & 93/44/EEC EN292-1, EN292-2, EN60204-1 (IEC 204-1)  EMC 89/336/EEC & 92/231/EEC EN50081-1, EN50082-1 FCC part 15, subpart B
	Noise Level	Approx. 42 dB (A) at idle running, at a distance of 1.0 m/39.4" from the machine
	Surrounding temperature	5-40°C/41-104°F
	Humidity	0-95% RH non condensing

*RotoForce-3*  
*Instruction Manual*

<b>Subject</b>		<b>Specifications</b>
Supply Voltage	Power consumption 50/60HZ	180/165W (0.24/0.22HP)
	No. of phases	3 (3L + PE)
	Voltage / frequency:	Max. continuous load
	3 x 200 V, 50 Hz	1.35A
	3 x 220 V, 50 Hz	1.25A
	3 x 380 V, 50 Hz	0.80A
	3 x 415 V, 50 Hz	0.80A
	3 x 200 V, 60 Hz	1.40A
	3 x 220 V, 60 Hz	1.30A
3 x 440 V, 60 Hz	0.76A	
3 x 480 V, 60 Hz	0.72A	

# Quick Reference Card

- |  |  |
|--|--|
| <b>Inserting a Specimen Holder</b>           | <ul style="list-style-type: none"><li>■ Place the specimen holder under the quick coupling.</li><li>■ Press and hold the release button on the column of RotoForce-3, while guiding the top of the specimen holder into the coupling.</li><li>■ Turn the specimen holder until the three pins engage in the corresponding holes.</li><li>■ Release the button.</li></ul> |
| <b>Adjusting the Force</b>                   | <ul style="list-style-type: none"><li>■ Press FORCE <math>\text{Ⓢ}</math>▲ or <math>\text{Ⓢ}</math>▼ to adjust the force to the desired value.</li></ul>   |
| <b>Adjusting the Preparation Time</b>        | <ul style="list-style-type: none"><li>■ Press TIME <math>\text{Ⓢ}</math>▲ or <math>\text{Ⓢ}</math>▼ to adjust the time to the desired value.</li></ul>   |
| <b>Adjusting the Position of RotoForce-3</b> | <ul style="list-style-type: none"><li>■ Unlock RotoForce-3 by moving the handle up.</li><li>■ Adjust the RotoForce-3 so that the specimens are running at about 2 - 4 mm from the periphery of the preparation disc.</li><li>■ Lock RotoForce-3 in that position by moving the handle down.</li></ul>  |
| <b>Running the preparation</b>               | <ul style="list-style-type: none"><li>■ Adjust time and force on the RotoForce-3.</li><li>■ Set RotoForce-3 to Auto.</li><li>■ Set Lupo to Auto if lubricant dosing is required.</li><li>■ Press START <math>\text{Ⓢ}</math> on RotoPol.</li></ul>   |

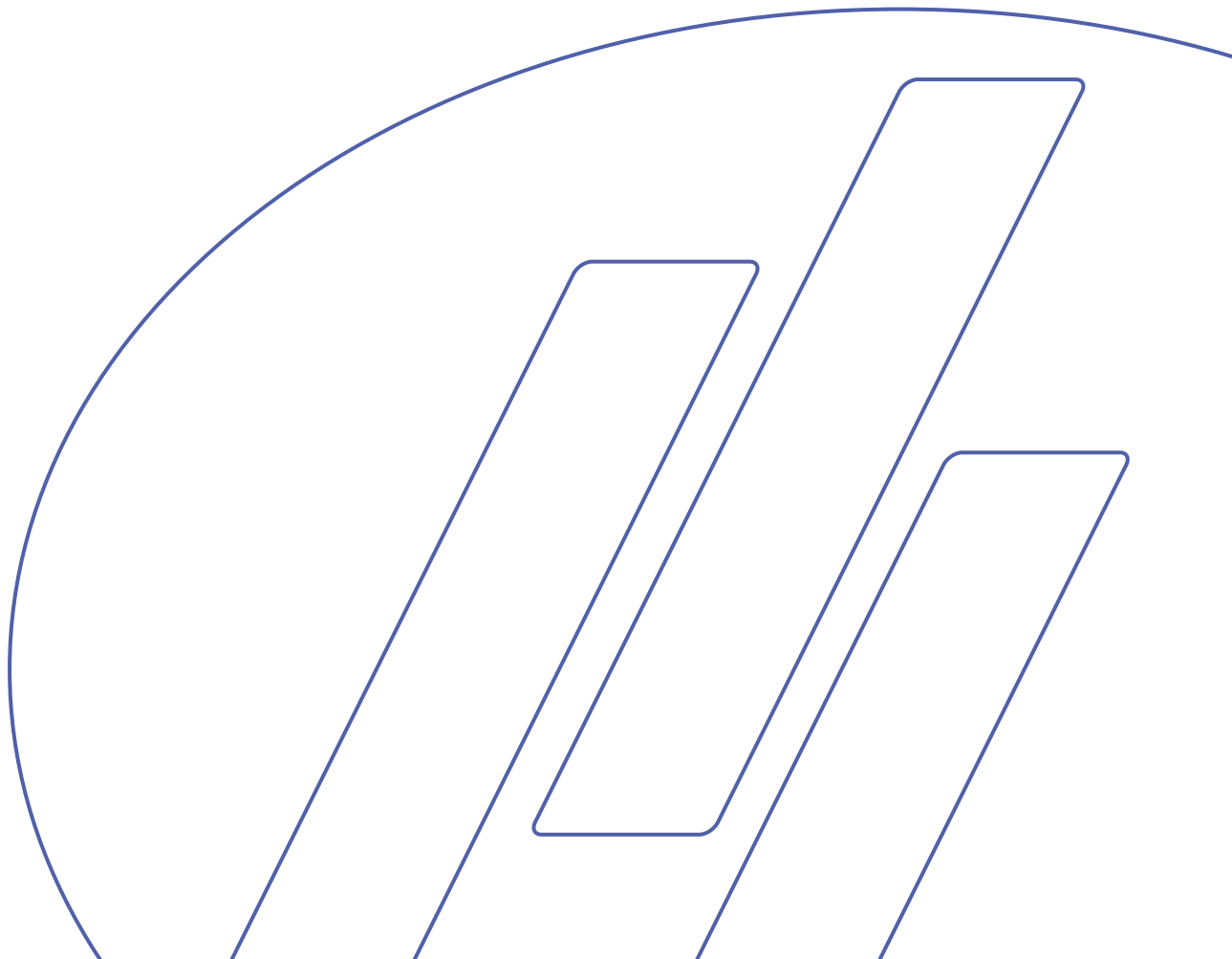
# RotoForce-3

Gebrauchsanweisung



Handbuch Nr. 15247000

Auslieferungsdatum 30.01.2001







*RotoForce-3*  
*Gebrauchsanweisung*

Inhaltsverzeichnis	Seite
Benutzerhandbuch.....	1
Referenzhandbuch .....	15
Schnellinformation .....	23

---

Geben Sie bitte bei technischen Anfragen oder bei der Bestellung von Ersatzteilen immer die *Seriennummer* und die *Spannung/Frequenz* an. Diese Angaben finden Sie auf dem Typenschild des Geräts bzw. der Maschine. Eventuell benötigen wir auch *Datum* und *Artikelnummer* der Gebrauchsanweisung. Diese Informationen finden Sie auf dem Deckblatt der Gebrauchsanweisung.

Beachten Sie bitte die nachstehend genannten Einschränkungen.  
Zuwiderhandlung kann die Haftung der Firma Struers beschränken oder aufheben:

**Gebrauchsanweisungen:**

Eine von der Firma Struers veröffentlichte Gebrauchsanweisung darf nur in Zusammenhang mit den Geräten von Struers verwendet werden, für die diese Gebrauchsanweisung ausdrücklich bestimmt ist.

**Wartungshandbücher:**

Ein von der Firma Struers veröffentlichtes Wartungshandbuch darf nur von ausgebildeten Technikern benutzt werden, die von Struers dazu berechtigt wurden. Das Wartungshandbuch darf nur in Zusammenhang mit dem Gerät von Struers benützt werden, für das dieses Wartungshandbuch ausdrücklich bestimmt ist.

Struers übernimmt für Irrtümer in Text und Bild der Veröffentlichungen keine Verantwortung. Wir behalten uns das Recht vor, den Inhalt der Gebrauchsanweisungen und Wartungshandbücher jederzeit und ohne Vorankündigung zu ändern. In den Gebrauchsanweisungen und Wartungshandbüchern können Zubehör und Teile erwähnt sein, die nicht Gegenstand oder Teil der laufenden Geräteversion sind.

Inhalt der Gebrauchsanweisungen und Wartungshandbücher ist Eigentum der Firma Struers. Kein Teil dieser Veröffentlichungen darf ohne schriftliche Genehmigung von Struers reproduziert werden.

Alle Rechte vorbehalten © Struers 2001.

**Struers A/S**  
Valhøjs Allé 176  
DK-2610 Rødovre/Kopenhagen  
Dänemark  
Telefon +45 36 70 35 00  
Fax +45 38 27 27 01

---





## **RotoForce-3**

### **Sicherheitshinweise**

#### **Vor Gebrauch sorgfältig lesen**

1. Der Benutzer sollte sich anhand der Gebrauchsanweisung mit dem Gebrauch der Maschine ausgiebig vertraut machen. Das Gerät muß arbeitsgerecht aufgestellt werden.
2. Vergewissern Sie sich, daß die vorliegende Netzspannung mit der auf der Rückseite des Gerätes angegebenen Spannung übereinstimmt.
3. Prüfen Sie vor dem Start der Maschine, ob der Probenhalter richtig in der Schnellkupplung sitzt. RotoForce-3 muß auf der Schleif/Poliermaschine korrekt und sicher angebracht sein.
4. Rotierende Teile dürfen während des Betriebs nicht berührt werden.
5. Falls das Gerät sich ungewöhnlich verhält oder falsch funktioniert, unterbrechen Sie den Betrieb, und rufen Sie den Kundendienst an.
6. Blaues Schmiermittel: Beachten Sie bitte beim Handhaben, Mischen, Abfüllen, Leeren und Entsorgen der Schmiermittel auf Alkoholbasis die gültigen Sicherheitsbestimmungen.

---

Für die Benutzung der Geräte bzw. der Maschinen sind die Verbrauchsmaterialien von Struers vorgesehen. Falls unzulässiger Gebrauch, falsche Installation, Veränderung, Vernachlässigung, unsachgemäße Reparatur oder ein Unfall vorliegt, übernimmt Struers weder die Verantwortung für Schäden des Benutzers, noch für solche am Gerät.

Die für Kundendienst und Reparatur erforderliche Demontage irgendwelcher Teile des Gerätes bzw. der Maschine sollte immer nur von qualifiziertem Fachpersonal (Elektromechanik, Elektronik, Pneumatik usw.) vorgenommen werden.

---



# Benutzerhandbuch

Inhaltsverzeichnis	Seite
<b>1. Zu Beginn</b>	
Packungsinhalt überprüfen.....	2
Auspackung von RotoForce-3 .....	2
Kennenlernen von Rotoforce-3 .....	2
Aufstellen und Montage .....	3
RotoForce-3 auf RotoPol-31 .....	3
RotoForce-3 auf RotoPol-21/22/25 oder auf Rotopol-1/-2/-V ...	3
Anschlüsse des Rotoforce-3.....	4
Elektrischer Anschluß .....	4
Druckluftanschluß .....	4
Verbindung zum Präparationsgerät .....	4
Menüs auswählen .....	5
Sprache einstellen.....	6
Lupo montieren.....	7
<b>2. Grundzüge der Bedienung</b>	
Gebrauch der Bedienelemente .....	8
Bedienelemente von Rotoforce-3 und Lupo.....	8
Elemente des Bedienfeldes.....	9
RotoForce-3 .....	9
Steuerknöpfe des Lupo .....	9
Hauptschalter.....	10
Bedienung .....	10
Pieptöne.....	10
Der Handgriff.....	10
Auswechseln der kompletten Lupo Einheit (Zubehör) .....	10
Schmiermitteltyp wechseln/auffüllen .....	11
Durchführung einer Präparationsmethode.....	12
Probenhalter einsetzen.....	12
Position des RotoForce-3 justieren.....	12
Andruckkraft einstellen.....	12
Präparationszeit einstellen .....	13
Lupo Betrieb.....	13
RotoForce-3 Betrieb .....	13

## 1. Zu Beginn

### Packungsinhalt überprüfen

In der Verpackung sollten sich folgende Teile befinden:

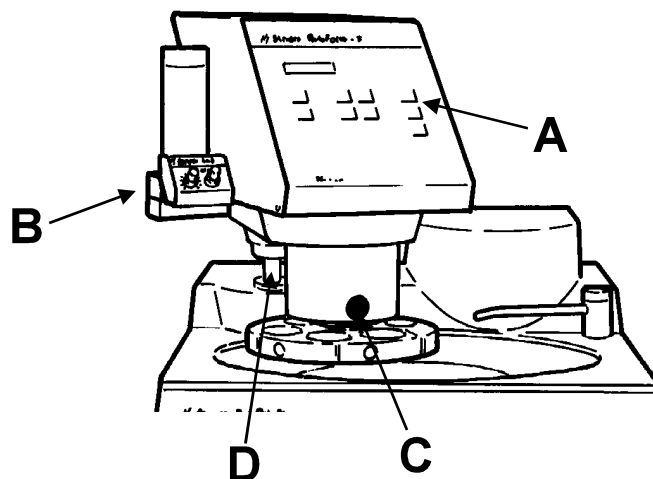
- 1 RotoForce-3
- 1 Lupo automatische Tropfvorrichtung
- 1 Silikonschlauch
- 1 Druckschlauch, 3 m
- 2 Schlauchschellen
- 1 Schlauchschelle
- 1 Druckluft-Schnellkupplung
- 1 Schlauchnippel
- 1 Schraube M5x10 mit Unterlegscheibe
- 1 Steckschlüssel
- 1 Innensechskantschlüssel (Inbus)
- 1 Gebrauchsanweisungssatz

### Auspackung von RotoForce-3

Nehmen Sie Rotoforce-3 aus der Transportkiste. Mutter und Unterlegscheibe, mit der das Gerät am Holzboden befestigt ist, heben Sie bitte auf; Sie benötigen diese zur Montage auf RotoPol-21/-22/-25 oder Rotopol-1/-2/-V.

### Kennenlernen von Rotoforce-3

Nehmen Sie sich einen Augenblick Zeit, um Lage und Bezeichnung aller Teile des Rotoforce-3 kennenzulernen.



*RotoForce-3 mit RotoPol-31*

- A Tastenfeld und Display.
- B Lupo Schmiermitteldosierer.
- C Auslöseknopf für Schnellkupplung.
- D Stützsäule und Anschlagring.

## **Aufstellen und Montage**

*RotoForce-3 auf RotoPol-31*

- Auf der Oberseite des RotoPol-31 Gehäuses befindet sich eine Öffnung für die Säule; entfernen Sie die Kappe von der Öffnung.
- Auf der linken Seite des RotoPol-31 Gehäuses befinden sich zwei mit Kappen abgedeckte Befestigungsschrauben. Entfernen Sie die Kappen durch Anheben mit einem Messer.
- Entfernen Sie den schwarzen Plastikring von der Stützsäule des Rotoforce-3.
- Führen Sie die Stützsäule des Rotoforce-3 in die Öffnung des RotoPol-31 ein. Drehen Sie die Säule so lange, bis der Querstift am unteren Ende der Säule in die Führungsschlitze im RotoPol-31 einrastet.
- Ziehen Sie die beiden Befestigungsschrauben auf der linken Seite des RotoPol-31 Gehäuses an und decken Sie sie wieder mit den Kappen ab.

*RotoForce-3 auf  
RotoPol-21/22/25 oder auf  
Rotopol-1/-2/-V*

- Stellen Sie zwei Arbeitstische gleicher Höhe so nebeneinander, daß sie etwa um die Hälfte der Länge des RotoPol Gerätes auseinanderstehen. Stellen Sie RotoPol über diese Lücke.

**Achtung!**

Ein RotoPol mit einem RotoForce wiegt über 50 kg.

- *RotoPol-21 / -22 / -25:* Entfernen Sie Kappe zwischen den beiden Drehtellern.  
*Rotopol-1 / -2 / -V:* Die Transportkiste von Rotopol enthält eine gedruckte Schablone. Legen Sie die Schablone auf Rotopol auf und schlagen Sie mit einem Hammer mit abgerundetem Kopf auf den Kreis der *RotoForce-3* gezeichnet ist. Entfernen Sie die Schablone wenn das Loch sich öffnet.
- Führen Sie die Stützsäule des Rotoforce-3 in die Öffnung am RotoPol ein.
- Drehen Sie die Säule so lange, bis der Querstift am unteren Ende der Säule in die Führungsschlitze im RotoPol einrastet.
- Schrauben Sie die Säule des Rotoforce-3 auf der Unterseite des RotoPol fest. Dazu benützen Sie die Unterlegscheibe und die Mutter, die Sie beim Auspacken der Transportkiste zur Seite gelegt hatten. Ziehen Sie die Mutter ausreichend fest.

## **Anschlüsse des Rotoforce-3**

Rotoforce-3 wird mit elektrischem Anschlußkabel, Druckluftschlauch und Verbindungskabel geliefert.

### *Elektrischer Anschluß*

Elektrischer Anschluß Bringen Sie einen Stecker am Netzkabel an, oder verbinden Sie das Kabel direkt mit dem Netz.

Schwarz und braun: Phase  
Gelb/grün: Erde

**WICHTIG**

Das Typenschild auf der Rückseite des Gerätes gibt die zulässige Spannung an. Prüfen Sie bitte nach, ob diese mit der vorliegenden Netzspannung übereinstimmt.

Prüfen Sie nach, ob sich der Probenhalter tatsächlich gegen den Uhrzeigersinn dreht. Vertauschen Sie zwei Phasen, wenn dies nicht der Fall ist.

### *Druckluftanschluß*

- Schließen Sie an der mitgelieferten Druckluft-Schnellkupplung einen Druckluftschlauch an, und sichern Sie ihn mit der beiliegenden Schlauchschelle.
- Verbinden Sie die Schnellkupplung mit dem vorinstallierten Druckluftschlauch des Rotoforce-3.

**WICHTIG**

Der Druck der Druckluftversorgung muß zwischen 5 bar (73 psi) und 6.5 bar (95 psi) liegen  
Die Druckluft darf weder Wasser noch Öl noch Partikel enthalten. Falls notwendig muss ein Druckregulator/Filtereinheit zwischen Luftversorgung und RotoForce installiert werden.

### *Verbindung zum Präparationsgerät*

*RotoPol ohne Zusatzgeräte:* Bringen Sie das Geräteverbindungskabel auf der Rückseite des RotoPol an (siehe Gebrauchsanweisung RotoPol).

*RotoPol mit Multidoser und/oder RotoCom:* Bringen Sie das Geräteverbindungskabel auf der Rückseite des Multidosers an (siehe Gebrauchsanweisung des Multidosers).



**Menüs auswählen**

Mit der MENÜ-Taste  schalten Sie von einer Anzeige zur nächsten:

SPRACHE  
DEUTSCH



KOMMUNIKATION  
STANDARD



KRAFT REDUKTION  
NEIN

## Sprache einstellen

150N 01:00  
STOP



LANGUAGE  
ENGLISH



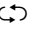
SPRACHE  
DEUTSCH




150N 01:00  
STOP

Mit der MENÜ-Taste  aktivieren Sie das Einrichtungs­menü

Die Sprachanzeige erscheint

Mit der AUSWAHL-Taste  wählen Sie Englisch, Deutsch, Französisch oder Japanisch aus

Mit der Taste STOP  bestätigen Sie die Auswahl. Das Betriebsmenü erscheint wieder.

Vergessen Sie bitte nicht, an allen angeschlossenen RotoSystem-Modulen dieselbe Sprache einzustellen.

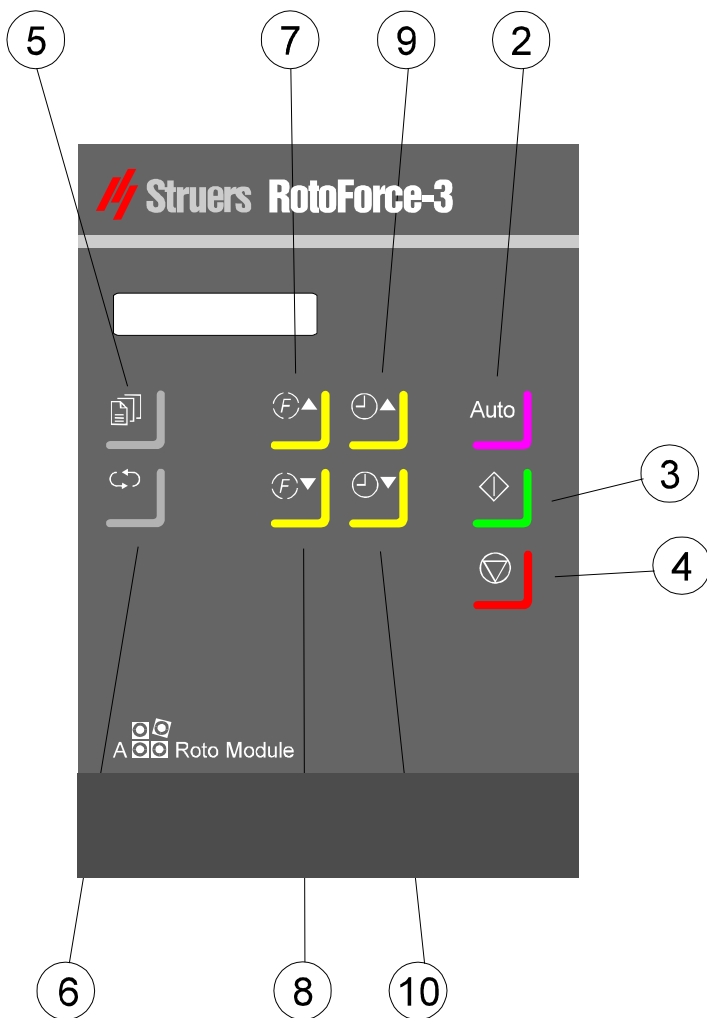
**Lupo montieren**

- Nehmen Sie Lupo aus der Verpackung.
- Stecken Sie Lupo in die Halterung am Gehäuse des Rotoforce-3.
- Verbinden Sie mit dem beiliegenden Silikonschlauch den Nippel am Lupo mit der unter dem Rotoforce-3 angebrachten Düse.
- Nehmen Sie den Deckel von der Flasche, und füllen Sie ein Schmiermittel ein.
- Wenn Sie die Flasche wieder mit dem Deckel verschlossen haben, ist Lupo betriebsbereit.

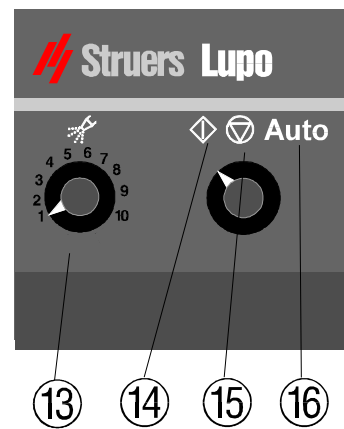
## 2. Grundzüge der Bedienung

Gebrauch der Bedienelemente  
Bedienelemente von  
Rotoforce-3 und Lupo

### RotoForce-3


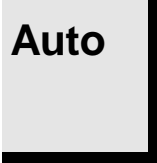
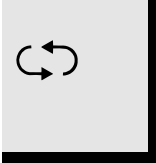
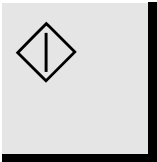
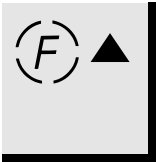
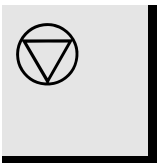
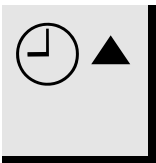


### Lupo

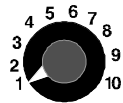












*RotoForce-3  
Gebrauchsanweisung*

**Elemente des Bedienfeldes**  
*RotoForce-3*



Name	Taste	Funktion	Name	Taste	Funktion
① HAUPT SCHALTER		Der Hauptschalter befindet sich auf der Rückseite des Rotoforce-3. Drehen im Uhrzeigersinn schaltet das Gerät ein	⑤ MENÜ		Aktiviert das Einstellungs Menü oder blättert durch die Menüstruktur nach unten
② AUTO		Betriebsart AUTO wird ein/aus geschaltet (Kommunikation zwischen den Modulen des RotoSystems).	⑥ AUSWAHL		Verändert Werte im Einstellungs Menü
③ START		Startet Rotoforce-3	⑦ ⑧ KRAFT		Einstellung der KRAFT: ▲ Andruckkraft wird größer ▼ Andruckkraft wird kleiner
④ STOP		Stops RotoForce-3 Exits the set-up menu.	⑨ ⑩ ZEIT		Einstellung der ZEIT: ▲ Zeit wird verlängert ▼ Zeit wird verkürzt

*Steuerknöpfe des Lupo*

Name	Taste	Funktion	Name	Einstellung	Funktion
⑬ DOSIER KNOPF		Stellt unterschiedliche Stufen des Dosierstärke ein	⑭ START		Lupo wird von Hand gestartet; wird beim Vordosieren verwendet.
(⑭, ⑮, ⑯) STEUER- KNOPF		Schaltet die Betriebsarten AUTO, START und STOP ein. Die Stromversorgung des Lupo erfolgt direkt durch das RotoForce, womit kein eigener Netzschalter erforderlich ist	⑮ STOP		In dieser Stellung ist Lupo ausgeschaltet.
			⑰ AUTO	<b>Auto</b>	Wenn die Betriebsart Auto eingestellt ist, wird Lupo vom Rotoforce-3 aus gesteuert. Lupo startet und stoppt gemeinsam mit Rotoforce-3.

- Haupschalter** ① Der Hauptschalter befindet sich auf der Rückseite der Steuerungseinheit.
- Bedienung**
- MENÜ , und AUSWAHL  kann nur aktiviert werden wenn das Gerät gestoppt ist.
  - AUSWAHL  kann nur aktiviert werden wenn MENÜ  gewählt ist.
- Pieptöne*
-  *Kurzer Piepton:* Beim Drücken einer Taste zeigt ein kurzer Piepton an, daß der Befehl akzeptiert worden ist.
  -  *Langer Piepton:* Ein langer Piepton zeigt an, daß diese Tastenfunktion im Augenblick nicht zur Verfügung steht.
- Der Handgriff**
- RotoForce-3 wird mit dem Handgriff in Arbeitsposition verriegelt.
- Handgriff in oberer Stellung:* Wenn der Handgriff nach oben bewegt und in die obere Stellung gebracht wird, kann RotoForce-3 horizontal verschoben und korrekt über der Präparationsscheibe in Stellung gebracht werden.
- Handgriff in unterer Stellung:* Wenn RotoForce-3 korrekt ausgerichtet ist, bewegen Sie den Handgriff nach unten; RotoForce-3 wird in Arbeitsposition verriegelt.
- Auswechseln der kompletten Lupo Einheit (Zubehör)**
- Stellen Sie den Schalter der Betriebsart am Lupo auf STOP .
  - Nehmen Sie das benützte Lupo aus der Halterung.
  - Setzen Sie ein anderes Lupo Gerät (Zubehör), gefüllt mit einem anderen Schmiermittel, in die Halterung am Gehäuse des RotoForce-3 ein. Verbinden Sie den Silikonschlauch mit dem Nippel.

**Schmiermitteltyp  
wechseln/auffüllen**

- Schalten Sie Lupo auf STOP  .
- Nehmen Sie Lupo von RotoForce ab.
- Halten Sie die Schmiermittelflasche des Lupo gut fest, und nehmen Sie den Deckel ab.
- Während die Flasche noch mit dem Lupo Gerät verbunden ist, gießen Sie das restliche Schmiermittel aus.
  - Füllen Sie die Lupo Flasche mit mildem Seifenwasser.
  - Stecken Sie Lupo wieder in die Halterung,
  - Schalten Sie Lupo auf START .
  - Stellen Sie den Dosierknopf auf Maximalstufe 10, und lassen Sie das Wasser 2-3 min durch die Düse strömen.
- Wiederholen Sie die oben genannten Punkte, wobei Sie diesmal Leitungswasser einfüllen, um alle Seifenrückstände herauszuspülen.
- Füllen Sie mit Schmiermittel auf, und setzen Sie den Deckel wieder auf.

**WICHTIG**

Die Sockelkappe darf beim Abdrehen der Lupo Flasche nicht gedreht werden, andernfalls wird die Dichtung der Sockelkappe beschädigt .

**Durchführung einer  
Präparationsmethode**  
*Probenhalter einsetzen*

- Bringen Sie den Probenhalter unter die Schnellkupplung.
- Während Sie den schwarzen Auslöseknopf am Kupplungsgehäuse des RotoForce-3 gedrückt halten, führen Sie den Kupplungszapfen des Probenhalters in die Kupplung ein.
- Drehen Sie den Probenhalter so lange, bis die drei Stifte in die entsprechenden Löcher einrasten.
- Lassen Sie den Auslöseknopf los.

*Position des RotoForce-3  
justieren*

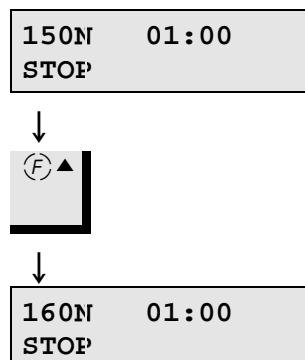
Die Position des Probenhalters oder der Probenhalterplatte muss korrekt im Verhältnis zur Präparationsscheibe justiert werden, um die bestmöglichen Präparationsergebnisse zu erreichen. Dies wird durch die horizontale Bewegung von RotoForce-3 erreicht.

- Der Probenhalter oder die Probenhalterplatte sollte so eingestellt dass die Proben dicht am Rand der Präparationsscheibe laufen. Ein Abstand von 2-4 mm ist geeignet.
- Es gibt nur drei Ausnahmen: Schleifpapier mit selbstklebender Rückseite, Petrodisc-M und alle Scheiben des MD-Systems. In allen drei Fällen sollen die Proben 1-2 mm über die Kante der Scheibe herausragen.

*NB:* Im Falle von Petrodisc-M sollen die Proben sowohl über die Kante als auch über die Mitte der de Scheibe gehen. Das wird getan um die bestmögliche Planheit der Proben zu erreichen und um die Planheit der Petrodisc-M beizubehalten.

*Andruckkraft einstellen*

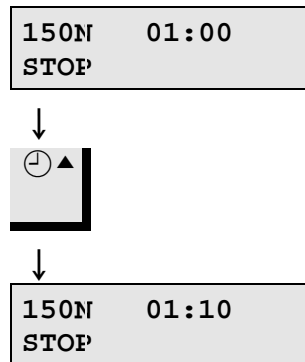
Mit den Tasten KRAFT (F)▲ oder (F)▼ wird der gewünschte Wert der Andruckkraft eingestellt.





*Präparationszeit einstellen*

Mit den Tasten ZEIT  $\ominus$ ▲ oder  $\ominus$ ▼ wird die Präparationszeit eingestellt.



**Lupo Betrieb**

- Dosierstärke einstellen.
- Betriebsart Auto am Lupo einstellen.

**RotoForce-3 Betrieb**

- Nachdem am RotoForce-3 die geeignete Zeit bzw. die Andruckkraft und am Lupo die Dosierstärke eingestellt und der Steuerknopf auf Auto gestellt wurde, drücken Sie am RotoForce-3 die Taste Auto.
- An der RotoPol Schleif/Poliermaschine drücken Sie auf START  $\diamond$ , wodurch beide Geräte gleichzeitig gestartet werden.
- Nach Ablauf der voreingestellten Zeit stoppen alle Geräte gleichzeitig.

*RotoForce-3*  
*Gebrauchsanweisung*

# Referenzhandbuch

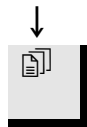
Inhaltsverzeichnis	Seite
<b>1. Reduktion der Andruckkraft</b> .....	16
<b>2. Zubehör</b> .....	17
<b>3. Fehlersuche</b> .....	19
<b>4. Wartung</b>	
Täglich.....	20
Wöchentlich.....	20
RotoForce .....	20
Lupo.....	20
<b>5. Technische Daten</b> .....	21

## 1. Reduktion der Andruckkraft

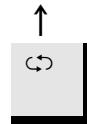
RotoForce-3 bietet die Möglichkeit, die Andruckkraft zum Ende der Präparation hin automatisch zu reduzieren.

Ist die KRAFTREDUKTION eingeschaltet, so wird während der letzten 30 Sekunden der Präparationsstufe die Andruckkraft vom aktuellen Wert auf 5 N reduziert. Diese Maßnahme bewirkt weniger Materialabtrag und kleinere Kratzer. Dies hat zur Folge, daß die Präparationszeit nachfolgender Stufen verringert werden kann, denn die Menge des beschädigten Materials, das entfernt werden muß, ist geringer.

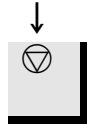
1500N 04:00  
STOP



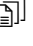
KRAFT REDUKTION  
NEIN




KRAFT REDUKTION  
JA



150N 04:00  
STOP

Betätigen Sie die Taste MENÜ   
so lange, bis die Anzeige  
KRAFT-REDUKTION erscheint

Mit der Taste AUSWAHL    
schalten Sie zwischen JA und NEIN

Mit STOP  bestätigen Sie die  
Auswahl. Das Betriebsmenü  
erscheint wieder.

## 2. Zubehör






Spezifikation	Kennwort
<p><i>Probenhalter Ø 140 mm</i>  für eingebettete und uneingebettete Proben  für 6 Proben, Ø 10-32 mm, Aluminium  für 6 Proben, Ø 10-32 mm, Rostfreier Stahl  für 4 Proben, Ø 10-40 mm, Aluminium  für 4 Proben, Ø 10-40 mm, Rostfreier Stahl</p>	<p>PEDAL  PEDST  PEDFI  PEDIS</p>
<p><i>Probenhalter Ø 160 mm</i>  für eingebettete zylindrische Proben  für 6 Proben zu je Ø 25 mm/1", Aluminium  für 6 Proben zu je Ø 30 mm, Aluminium  für 6 Proben zu je Ø 1,1/4", Aluminium  für 6 Proben, Ø 30 oder 22x44 mm, Rostfreier Stahl  für 4 Proben zu je Ø 40 mm, Aluminium  für 4 Proben zu je Ø 1,1/2", Aluminium</p>	<p>MAXTO  MAXUM  MAXQU  MAXIB  MAXLI  MAXHA</p>
<p><i>Probenhalter Ø 160 mm</i>  für eingebettete und uneingebettete Proben  für 6 Proben, Ø 12-40 mm, Rostfreier Stahl  für 6 Proben, Ø 12-40 mm, Aluminium  für 12 Proben, Ø 10-25,5 mm, Rostfreier Stahl  für 6 flache Proben (max. 34x60 mm), Rostfreier Stahl  für 3 flache Proben (max. 41x72 mm), Rostfreier Stahl  mit 3 Spannvorrichtungen für Draht oder Flachmaterial  (max. 24 x 52 mm) Rostfreier Stahl</p>	<p>MAXCY  MAXLU  MAXDU  MAXYK  MAXDI  MAXAB</p>
<p><i>Probenhalter Ø 160 mm ohne Öffnungen</i>  plane Probenhalter aus Vollmaterial zum Aufkleben  von Proben oder zum Bohren beliebiger Öffnungen  Rostfreier Stahl  Aluminium</p>	<p>MAXSO  MAXAS</p>
<p><i>Probenhalter Ø 200</i>  für 5 Proben, Ø 27-55 mm, Rostfreier Stahl  für 3 Proben bis zu Ø 70 mm oder eine Probe bis zu Ø  180 mm, Rostfreier Stahl  für 3 flache Proben (max. 53x70 mm), Rostfreier Stahl</p>	<p>MAXUK  MAXRU  MAXOT</p>
<p><i>Probenhalter Ø 200mm ohne Öffnungen</i>  plane Probenhalter aus Vollmaterial zum Aufkleben  von Proben oder zum Bohren beliebiger Öffnungen  Rostfreier Stahl  Aluminium</p>	<p>MAXON  MAXAN</p>

*RotoForce-3*  
*Gebrauchsanweisung*

<b>Spezifikation</b>	<b>Kennwort</b>
<i>Uniforce, Grundmodell</i> Gerät zum Nivellieren von Proben in Probenhaltern von Ø 140, 160, und 200 mm	MAXWI
<i>Uniforce, Erweitertes Modell</i> mit Druckfuß zur Positionierung der Proben	MAXFU
<i>Uniforce Erweiterungssatz</i> Druckfuß zur Positionierung der Proben	MAXMO
<i>Nivelliereinheit</i> für das Nivellieren von Proben in 140 mm dia. Probenhaltern.	PEDFU
LUPO, optionale zusätzliche Tropfvorrichtung	PEDNY

Struers führt ein umfassendes Programm von Verbrauchsmaterialien zum Schleifen/Polieren. Fragen Sie Ihren Händler nach Einzelunterlagen und Informationsmaterial.

### 3. Fehlersuche

Anzeige/Fehler	Ursache	Maßnahme
<b>RotoForce-3</b>		
ÜBERLASTUNG	RotoForce-3 ist aufgrund einer Motorüberlastung gestoppt.	Warten Sie bis der Motor abgekühlt ist und der Hinweis PAUSE/ÜBERLAST in der Anzeige erscheint.
PAUSE/ÜBERLAST	Nach einer Motorüberlastung ist der Motor abgekühlt. RotoForce-3 ist wieder betriebsbereit.	RotoForce-3 erneut starten.
PAUSE/OHNE DRUCK	Druckluft zu schwach.	Sorgen Sie für ausreichenden Luftdruck und starten Sie das Gerät erneut.
GRIFF SCHLIESSEN	Der Handgriff ist nicht nach unten gedrückt und RotoForce-3 ist gegenwärtig nicht verriegelt.	Handgriff nach unten bewegen.
Japanische Texte	RotoForce-3 hat die Möglichkeit die Bildschirmtexte auf japanisch zu zeigen. Wenn eine europäische Sprache im MENÜ SPRACHE gewählt ist, kann es ausversehen passieren, daß die Taste MENÜ  in der japanischen Alternative gedrückt wird.	Um in den englischem deutschen oder französischen Text zurückzugelangen, muß folgendes getan werden: <ul style="list-style-type: none"> <li>- Auf STOP  drücken.</li> <li>- Zwei Mal auf MENÜ  drücken.</li> <li>- Auf AUSWAHL  drücken bis die Sprache, die Sie wünschen erscheint.</li> <li>- Auf STOP  drücken.</li> </ul>
<b>Lupo</b>		
Lupo	Unzureichende oder fehlende Dosierung Dosierdüse verstopft.	Reinigen Sie die Düse mit Alkohol.
Schmiermittel sammelt sich unter der Flasche an	Flasche ist nicht richtig festgeschraubt.	Flasche ausreichend festschrauben. Denken Sie daran die Sockelkappe beim Schrauben festzuhalten, damit Schäden an der Bodendichtung vermieden werden.

## **4. Wartung**

### **Täglich**

Reinigen Sie alle zugänglichen Oberflächen der Maschine mit einem feuchten Tuch.

### **Wöchentlich**

*RotoForce*

- Bewegen Sie den Handgriff am RotoForce-3 nach oben.
- Drücken Sie zweimal auf START ◊
- Reinigen Sie die Kupplung mit einem sauberen Tuch. Die Leichtgängigkeit der Kupplung bleibt erhalten, wenn Sie sie mit einem säurefreien Fett schmieren.
- Durch Drücken auf STOP ⊕ kehrt die Kupplung wieder in das Kupplungsgehäuse zurück.

### *Lupo*

Um das Verstopfen der Düse an Lupo zu vermeiden sollte sie einmal wöchentlich gereinigt werden:

- Den Drehknopf auf STOP ⊕ stellen.
- Den Schlauch von der Düse entfernen und Lupo von dem Halter entfernen.
- Die Lupo Schmiermittelflasche festhalten und den Deckel entfernen.
- Die Flasche, während sie auf Lupo sitzt entleeren. Die Flasche mit einer milden Seifenlösung füllen.
  - Lupo auf den Halter setzen und den Schlauch wieder montieren.
  - Den Drehknopf an Lupo auf START ◊ stellen.
  - Die Dosierkontrolle auf maximale Dosierung (Stufe 10) stellen und die Seifenlösung 2-3 min laufen lassen
  - Die oben genannten Schritte wiederholen und die Flasche mit Wasser auffüllen um Seifenreste zu entfernen.
  - Die obengenannten Schritte wiederholen, die Flasche mit Schmiermittel auffüllen und den Deckel aufsetzen.



## 5. Technische Daten

Gegenstand	Kenndaten			
	Metrisch/International		US	
Proben-halter/ Probenhalterplatte	Drehgeschwindigkeit		150 U/min	150 U/min
	Motorleistung 50/60Hz		90/80W	0.11/0.12HP
	Drehmoment des Halters	Kontinuierlich 50/60HZ	5.1/5.3Nm	3.8/3.9lb-ft
		Max. 50/60HZ	12.6/12.9Nm	9.3/9.5lb-ft
	Druckluft		6 bar	
Proben	Krafteinwirkung auf den Probenhalter		30-400 N in 10N Stufen	
	Anhebekraft, aufwärts		max. 60N	
Abmes- sungen und Gewicht	Breite		270 mm	10.6"
	Tiefe		450 mm	17.7"
	Höhe		500 mm	19.7"
	Gewicht		25 kg	55.1 lbs

*RotoForce-3*  
*Gebrauchsanweisung*

<b>Gegenstand</b>		<b>Kenndaten</b>
Software und Elektronik	LC-Anzeige	2x16 Zeichen
	Steuertasten	Folienschalter
	Speicher	EPROM, RAM und nichtflüchtiges RAM
	Automatischer Start/Stop	Mit Lupo
	Kommunikation mit automatischen Start/Stop	Mit RotoPol-21/22/25 Multidoser
	Datenaustausch	Mit RotoCom
Umgebung/ Umwelt	Sicherheitsklassen	Allgemein 89/392/EEC & 91/386/EEC & 93/44/EEC EN292-1, EN292-2, EN60204-1 (IEC 204-1) EMC 89/336/EEC & 92/231/EEC EN50081-1, EN50082-1 FCC part 15, subpart B
	Geräuschpegel	Etwa 42 dB (A) im Leerlauf, gemessen 1,0 m/39,4" von der Maschine entfernt
	Umgebungstemperatur	5-40°C/41-104°F
	Feuchtigkeit	0-95% RH nichtkondensierend
Versorgungsspannung	Leistungsaufnahme 50/60Hz	180/165W (0.24/0.22HP)
	Anzahl der Phasen	3 (3L + PE)
	Spannung / Frequenz	Max. Dauerlast
	3 x 200 V, 50 Hz	1,35A
	3 x 220 V, 50 Hz	1,25A
	3 x 380 V, 50 Hz	0,80A
	3 x 415 V, 50 Hz	0,80A
	3 x 200 V, 60 Hz	1,40A
	3 x 220 V, 60 Hz	1,30A
3 x 440 V, 60 Hz	0,76A	
3 x 480 V, 60 Hz	0,72A	

# Schnellinformation

- Einsetzen des Probenhalters**
- Bringen Sie den Probenhalter unter die Schnellkupplung.
  - Während Sie den schwarzen Auslöseknopf am Kupplungsgehäuse des RotoForce-3 gedrückt halten, führen Sie den Kupplungszapfen des Probenhalters in die Kupplung ein.
  - Drehen Sie den Probenhalter so lange, bis die drei Stifte in die entsprechenden Löcher einrasten.
  - Lassen Sie den Auslöseknopf los.
- Einstellen der Andruckkraft**
- Mit den Tasten KRAFT  $\text{Ⓢ} \blacktriangle$  oder  $\text{Ⓢ} \blacktriangledown$  stellen Sie den gewünschten Wert ein.
- Einstellen der Präparationszeit**
- Mit den Tasten ZEIT  $\text{Ⓢ} \blacktriangle$  oder  $\text{Ⓢ} \blacktriangledown$  stellen Sie den gewünschten Wert ein.
- Position des RotoForce-3 justieren**
- Bewegen Sie den Handgriff am RotoForce-3 nach oben.
  - Justieren Sie RotoForce-3 so, daß die Proben sich etwa in einem Abstand von 2-4 mm vom Rand der Präparations-scheibe bewegen.
  - Verriegeln Sie RotoForce-3 in dieser Position; dazu bewegen Sie den Handgriff nach unten.
- Präparation durchführen**
- Stellen Sie Zeit und Andruckkraft am RotoForce-3 ein.
  - Stellen Sie RotoForce-3 auf Auto.
  - Stellen Sie Lupo auf Auto, falls Schmierung erforderlich ist.
  - Drücken Sie am RotoPol auf START  $\blacklozenge$ .

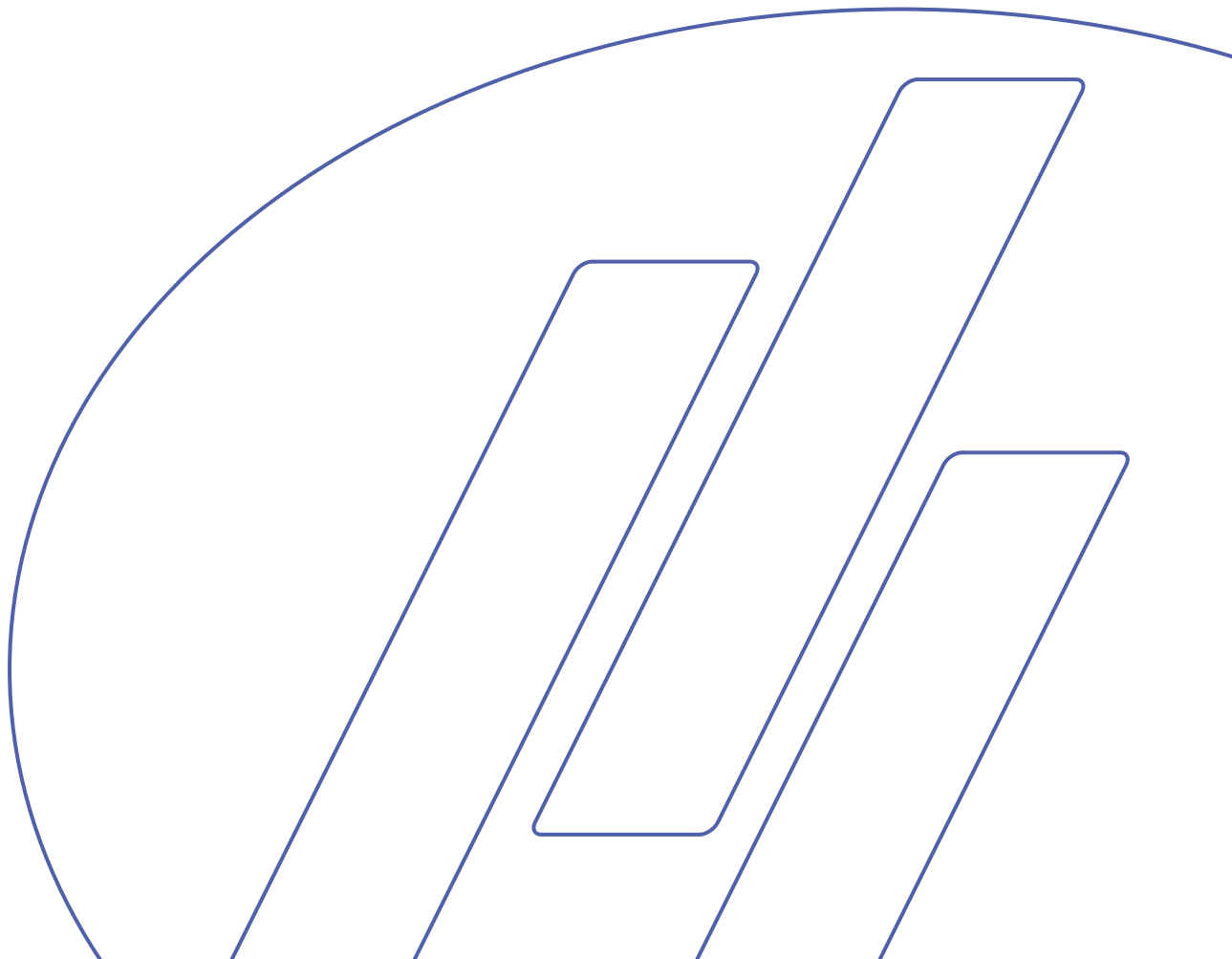
# RotoForce-3

Mode d'emploi



Mode d'emploi no.: 15247000

Date de parution: 30.01.2001





*RotoForce-3*  
*Mode d'emploi*

Table des matières	Page
Guide de l'utilisateur .....	1
Guide de référence .....	15
Carte de référence rapide .....	23

---

Toujours mentionner le *n° de série* et la *tension/fréquence* de l'appareil lors de questions techniques ou de commandes de pièces détachées. Vous trouverez le n° de série et la tension de l'appareil indiqués soit sur la page de garde du mode d'emploi, soit sur une étiquette collée ci-dessous. En cas de doute, veuillez consulter la plaque signalétique de la machine elle-même. La date et le n° de l'article du mode d'emploi peuvent également vous être demandés. Ces renseignements se trouvent sur la page de garde.

Les restrictions suivantes doivent être observées. Le non respect de ces restrictions pourra entraîner une annulation des obligations légales de Struers:

**Mode d'emploi:** Le mode d'emploi Struers ne peut être utilisé que pour l'équipement Struers pour lequel il a été spécifiquement rédigé.

**Manuels de maintenance:** Un manuel de service de Struers ne peut être utilisé que par un technicien spécialiste autorisé par Struers. Le manuel de service ne peut être utilisé que pour l'équipement Struers pour lequel il a été spécifiquement rédigé.

Struers ne sera pas tenu responsable des conséquences d'éventuelles erreurs pouvant se trouver dans le texte du mode d'emploi/illustrations. Les informations contenues dans ce mode d'emploi pourront subir des modifications ou des changements sans aucun avis préalable. Certains accessoires ou pièces détachées ne faisant pas partie de la présente version de l'équipement peuvent cependant être mentionnés dans le mode d'emploi. Le contenu de ce mode d'emploi est la propriété de Struers. Toute reproduction de ce mode d'emploi, même partielle, nécessite l'autorisation écrite de Struers.

Tous droits réservés. © Struers 1997.

**Struers A/S**  
Valhøjs Allé 176  
DK-2610 Rødovre/Copenhagen  
Danemark  
Téléphone +45 36 70 35 00  
Téléfax +45 38 27 27 01

---





## **RotoForce-3**

### **Fiche de sécurité**

#### **A lire attentivement avant utilisation**

1. L'opérateur doit être parfaitement instruit dans l'usage de la machine selon le Mode d'emploi. La machine doit être placée en position de travail adéquate.
2. S'assurer que la tension utilisée correspond à la tension indiquée au dos de la machine. La machine doit être connectée à la terre.
3. Avant de mettre la machine en marche, le porte-échantillons doit être fixé dans l'accouplement rapide. RotoForce-3 doit être monté correctement et solidement sur la machine de prépolissage/polissage.
4. Ne pas toucher les parties rotatives lors de l'opération.
5. En cas de mauvais fonctionnement de la machine ou de bruits inhabituels, arrêter la machine et appeler un technicien spécialisé.
6. Lubrifiant bleu: suivre les règles de sécurité en vigueur pour la manipulation, le mélange, le remplissage, le vidage et l'élimination du lubrifiant à base d'alcool.

---

La machine est conçue pour être utilisée avec des articles consommables fournis par Struers. En cas de mauvais usage, d'installation incorrecte, de modification, de négligence, d'accident ou de réparation impropre, Struers n'acceptera aucune responsabilité pour les dommages causés à l'utilisateur ou à la machine.

Le démontage d'une pièce quelconque de la machine, en cas d'entretien ou de réparation, doit toujours être assuré par un technicien qualifié (en électro-mécanique, électronique, mécanique, pneumatique, etc.).

---





# Guide de l'utilisateur

Table des matières	Page
<b>1. Installation</b>	
Vérifier le contenu de l'emballage .....	2
Déballer RotoForce-3 .....	2
Se familiariser avec RotoForce-3.....	2
Installation.....	3
RotoForce-3 sur RotoPol-31 .....	3
RotoForce-3 sur RotoPol-21/22/25 ou sur Rotopol-1/-2/-V .....	3
Brancher RotoForce-3 .....	4
Branchement électrique.....	4
Branchement à l'air comprimé .....	4
Branchement à l'équipement de préparation .....	4
Choisir entre les menus .....	5
Choisir la langue.....	6
Monter Lupo.....	7
<b>2. Opération</b>	
Utilisation des touches .....	8
Panneau frontal de RotoForce-3 et Lupo .....	8
Explication des touches de contrôle .....	9
RotoForce-3 .....	9
Lupo.....	9
Emplacement de l'interrupteur principal .....	10
Usage général des touches.....	10
Signaux sonores .....	10
La poignée .....	10
Choisir une autre unité Lupo (Accessoire).....	10
Changer de type de lubrifiant / Remplissage.....	11
Effectuer une méthode de préparation.....	12
Placer le porte-échantillons .....	12
Régler la position de RotoForce-3.....	12
Régler la force .....	12
Régler le temps de préparation .....	13
Opération of Lupo .....	13
Opération de RotoForce-3 .....	13

## 1. Installation

### Vérifier le contenu de l'emballage

Dans la caisse de transport se trouvent les pièces suivantes:

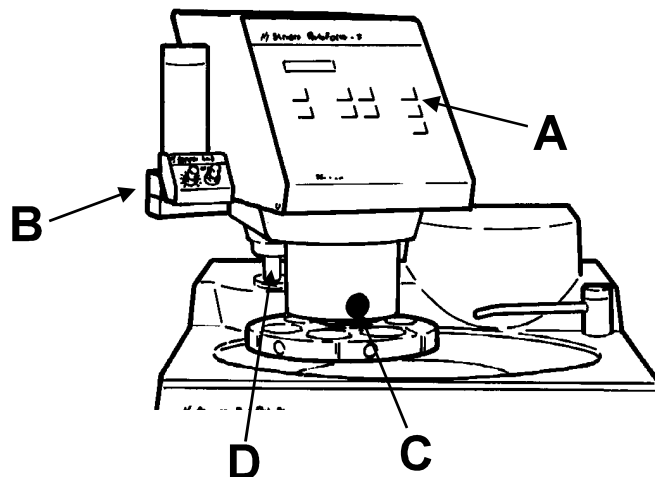
- 1 RotoForce-3
- 1 Lubrificateur compte-gouttes automatique Lupo
- 1 Tube en silicone
- 1 Tuyau de pression, 3 m
- 2 Colliers de serrage
- 1 Collier de serrage
- 1 Accouplement rapide
- 1 Mamelon de tuyau
- 1 Vis M5x10 avec rondelle de serrage
- 1 Clé à douille
- 1 Clé hexagonale
- 1 Jeu de Modes d'emploi

### Déballer RotoForce-3

Sortir RotoForce-3 de sa caisse de transport. Garder l'écrou et la rondelle de serrage fixant RotoForce-3. Ils seront utilisés plus tard lorsque RotoForce-3 devra être monté sur RotoPol-21/-22/-25 ou Rotopol-1/-2/-V.

### Se familiariser avec RotoForce-3

Prendre le temps de se familiariser avec l'emplacement et les noms des composants de RotoForce-3.



*RotoForce-3 sur RotoPol-31 (optionnel)*

- A Touches de contrôle et affichage.
- B Lubrificateur compte-gouttes Lupo.
- C Bouton de dégagement.
- D Colonne de support et bague d'arrêt.

## **Installation**

*RotoForce-3 sur RotoPol-31*

- Retirer le chapeau recouvrant l'orifice de support placé sur le haut du coffret de RotoPol-31 en le soulevant à l'aide d'un couteau.
- De la même façon, retirer les deux chapeaux recouvrant les vis de fixation du côté gauche sur le coffret de RotoPol.
- Retirer la bague en plastique noir de la colonne de support sur RotoForce-3.
- Guider la colonne de support de RotoForce-3 dans l'orifice de support dans RotoPol-31. Faire tourner la colonne jusqu'à ce que la tige transversale en bas de la colonne s'incruste dans les rainures de guidage à l'intérieur de RotoPol-31.
- Serrer les deux vis de fixation sur le côté gauche du coffret de RotoPol-31 et recouvrir les deux vis avec les deux chapeaux.
  
- Placer deux tables de travail de la même hauteur à une distance l'une de l'autre représentant environ la moitié de la longueur de RotoPol. Soulever RotoPol sur les deux tables, et déplacer précautionneusement la machine jusqu'à ce qu'elle repose bien stable entre les deux tables.

*RotoForce-3 sur  
RotoPol-21/22/25 ou sur  
Rotopol-1/-2/-V*

**Noter!**

Faire bien attention car, avec RotoForce, RotoPol pèse plus de 50 kg!

- *RotoPol-21/-22/-25*: Retirer le chapeau recouvrant l'orifice de support entre les deux tables rotatives.  
*Rotopol-1/-2/-V*: La caisse de transport de Rotopol renferme un modèle imprimé. Frapper sur l'orifice prédécoupé dans Rotopol à l'aide d'un marteau à tête ronde comme cela: frapper d'un coup sec le cercle sur le modèle marqué *RotoForce-3*. Retirer le modèle une fois l'orifice dégagé.
- Guider la colonne de support de RotoForce-3 dans l'orifice de support de RotoPol.
- Faire tourner la colonne jusqu'à ce que la tige transversale en bas de la colonne s'incruste dans les rainures de guidage sur RotoPol.
- Serrer l'écrou et la rondelle de serrage de la caisse de transport sous la colonne de RotoForce-3 en dessous de RotoPol.

*RotoForce-3*  
*Mode d'emploi*

**Brancher RotoForce-3**

RotoForce-3 est pourvu d'un câble électrique, d'un tuyau d'air comprimé et d'un câble de branchement.

*Branchement électrique*

Monter une prise sur le câble ou brancher directement au réseau électrique:

Noir et marron: phase  
Jaune/vert: terre

<p style="text-align: center;"><b>IMPORTANT</b></p> <p>Vérifier que la tension correspond à celle indiquée sur la plaque au dos de la machine.</p>
--

Contrôler que le porte-échantillons tourne dans le sens inverse des aiguilles d'une montre.

*Branchement à l'air comprimé*

- Monter un tuyau d'air sur l'accouplement rapide inclus et le maintenir à l'aide du collier de serrage inclus.
- Brancher l'accouplement rapide au tuyau d'air déjà prévu sur RotoForce-3.

<p style="text-align: center;"><b>IMPORTANT</b></p> <p>La pression d'air doit se trouver entre 5 (73 psi) et 6,5 bar (95 psi). L'air doit être exempt d'eau, d'huile ou de particules. Si nécessaire, un régulateur de pression/unité de filtre doivent être installés entre l'alimentation en air et RotoForce.</p>
--

*Branchement à l'équipement de préparation*

*RotoPol seul:* Brancher le câble de communication au dos de RotoPol (voir le Mode d'emploi de RotoPol).

*RotoPol avec Multidoser et/ou RotoCom:* Brancher le câble de communication au dos de Multidoser (voir le Mode d'emploi de Multidoser)

*RotoForce-3*  
*Mode d'emploi*

**Choisir entre les menus**

Appuyer sur la touche MENU  pour se déplacer entre les écrans de RotoForce:

LANGUE  
FRANCAIS



COMMUNICATION  
STANDARD



REDUCTION FORCE  
NON

## Choisir la langue

150N 01:00  
STOP



LANGUAGE  
ENGLISH



LANGUE  
FRANCAIS




150N 01:00  
ARRET

Appuyer sur MENU  pour activer le menu d'installation.

L'affichage LANGUE apparaît.

Appuyer sur SELECTION  pour choisir entre Anglais, Allemand, Français ou Japonais.

Appuyer sur ARRET  pour accepter le choix. Le menu Opération réapparaît dans la langue choisie.

Se rappeler de choisir la même langue sur tous les modules du RotoSystem connectés.

## **Monter Lupo**

- Retirer Lupo de sa boîte.
- Guider Lupo dans le connecteur sur le bras de support de RotoForce-3.
- Connecter le mamelon sur Lupo à la buse en dessous de RotoForce-3 à l'aide du tuyau de silicone joint.
- Retirer le couvercle supérieur de la bouteille et remplir de lubrifiant.
- Remonter le couvercle supérieur et Lupo est prêt à être utilisé.

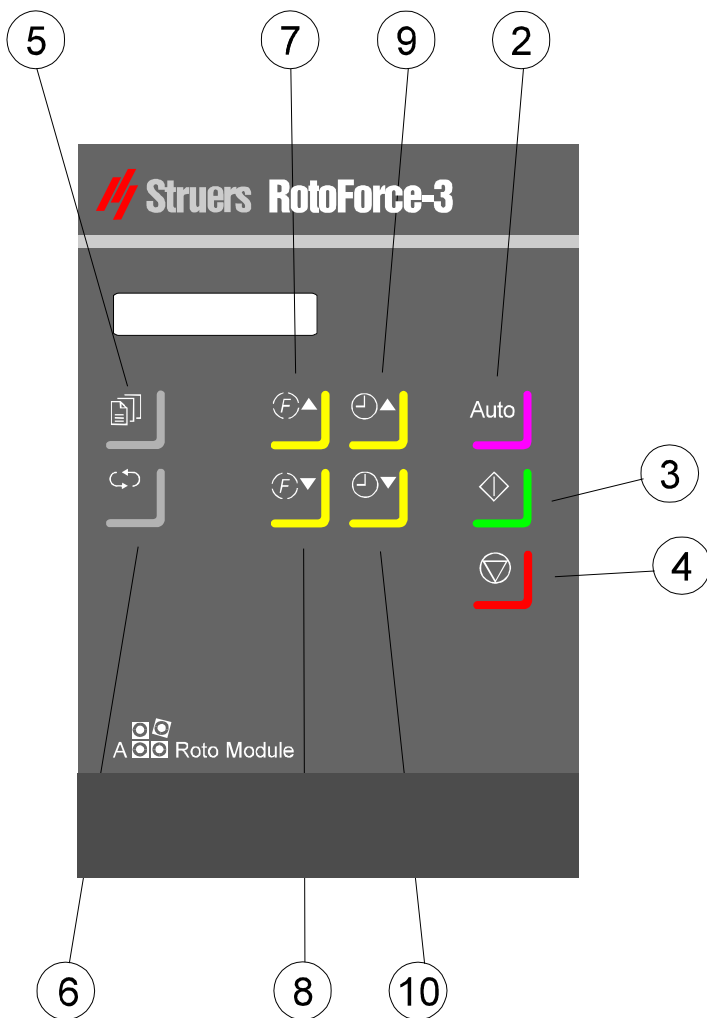


## 2. Opération

### Utilisation des touches

Panneau frontal de RotoForce-3  
et Lupo

# RotoForce-3




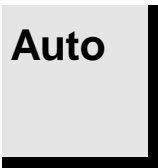
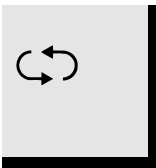
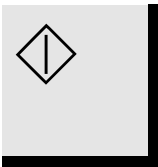
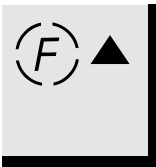
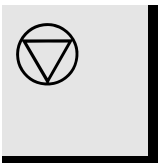
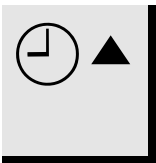
# Lupo



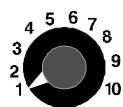



*RotoForce-3*  
*Mode d'emploi*

**Explication des touches de contrôle**

*RotoForce-3*

Nom	Touche	Explication	Nom	Touche	Explication
① INTERRUPTEUR PRINCIPAL		L'interrupteur principal se trouve au dos de RotoForce-3. Faire tourner dans le sens des aiguilles d'une montre pour mettre le courant.	⑤ MENU		Active le menu d'installation ou se déplace vers le bas dans la structure du menu.
② AUTO		Active ou désactive le mode Auto (communication entre les modules du RotoSystem).	⑥ SELECTION		Change les valeurs dans le menu d'Installation.
③ MARCHE		Met en marche RotoForce-3.	⑦ ⑧ FORCE		Choisir FORCE: ▲ Augmente la force ▼ Diminue la force
④ ARRET		Arrête RotoForce-3. Permet de quitter le menu d'Installation.	⑨ ⑩ TEMPS		Choisir TEMPS: ▲ Augmente le temps ▼ Diminue le temps

*Lupo*





Nom	Touche	Explication	Nom	Touche	Explication
⑬ INTERRUPTEUR DE DOSAGE		Change entre différents niveaux de dosage.	⑭ MARCHE		Mise en marche manuelle de Lupo. Lorsqu'il n'est pas en mode Auto, Lupo peut être utilisé pour le pré-dosage manuel.
(⑭, ⑮, ⑯) INTERRUPTEUR DE CONTROLE		Change entre mode Auto, Marche et Arrêt. Lupo est alimenté en courant directement à partir de RotoForce-3 et ne nécessite pas d'interrupteur de courant séparé.	⑮ ARRET		Arrêt manuel de Lupo. La touche arrête Lupo, mais n'a aucune influence sur RotoForce-3 ou la machine de prépolissage/polissage.
			⑰ AUTO	<b>Auto</b>	Quand le mode Auto est activé, la mise en marche et l'arrêt de Lupo sont contrôlés à partir de RotoForce-3. Quand RotoForce-3 est mis en marche/arrêté, Lupo est mis en marche/arrêté lui aussi.

*RotoForce-3*  
*Mode d'emploi*

**Emplacement de l'interrupteur principal**

① L'interrupteur principal est placé au dos de RotoForce-3.

**Usage général des touches**

- MENU  et SELECTION  ne peuvent être activés que lorsque la machine est à l'arrêt.
- SELECTION  ne peut être activé que lorsque MENU  a été choisi.

*Signaux sonores*

Lorsqu'une touche est pressée, un "bip" bref indique que la commande a été activée, alors qu'un "bip" long indique que la commande ne peut pas être activée pour l'instant.


**La poignée**

La poignée de RotoForce-3 sert à le bloquer en position de travail.

*Poignée en position supérieure:* quand la poignée est montée en position supérieure, RotoForce-3 peut être déplacé horizontalement et placé correctement au dessus du disque de préparation.

*Poignée en position inférieure:* quand RotoForce-3 est positionné correctement, déplacer la poignée vers le bas pour bloquer RotoForce-3 en position de travail.

**Choisir une autre unité Lupo (Accessoire)**

- Régler l'interrupteur de Lupo en position d'ARRET .
- Retirer le Lupo "ordinaire". Retirer le tube de silicone du mamelon au dessous de Lupo.
- Placer le nouveau Lupo (accessoire) rempli d'un lubrifiant alternatif dans le connecteur du bras de support. Brancher le tuyau de silicone au mamelon.

**Changer de type de lubrifiant /  
Remplissage**

- Régler l'interrupteur de Lupo en position d'ARRET ⊕.
- Retirer Lupo de RotoForce.
- Maintenir fermement la bouteille de lubrifiant Lupo et retirer le couvercle supérieur.
- Vider la bouteille, toujours montée sur Lupo, de tout reste de lubrifiant.
  - Remplir la bouteille d'eau additionnée de savon doux.
  - Remettre Lupo sur son bras de support.
  - Régler l'interrupteur de mode de Lupo sur MARCHÉ ⊖.
  - Régler le contrôle du dosage sur dosage max. (échelon 10) et laisser l'eau couler par la buse pendant 2 à 3 min.Répéter la procédure ci-dessus, mais remplir d'eau du robinet pour éliminer tout reste d'eau savonneuse.
- Remplir de lubrifiant et remonter le couvercle supérieur.

***IMPORTANT***

Eviter toujours de faire tourner le support en plastique en dévissant la bouteille Lupo, car ce mouvement de rotation pourrait endommager le joint du support en plastique.

## Effectuer une méthode de préparation

### Placer le porte-échantillons

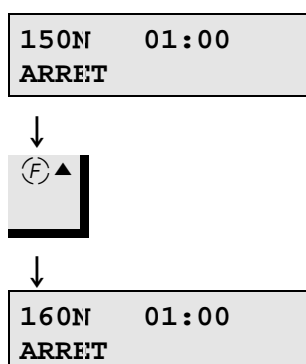
- Placer le porte-échantillons sous l'accouplement rapide.
- Appuyer sur le bouton de dégagement sur la colonne de RotoForce-3, tout en introduisant le raccord d'accouplement sur le porte-échantillons dans l'accouplement rapide.
- Faire tourner le porte-échantillons jusqu'à ce que les trois tiges s'incrudent dans les orifices correspondants.
- Lâcher le bouton.

*Régler la position de RotoForce-3* Le porte-échantillons doit être placé précisément par rapport au disque de préparation pour obtenir les résultats de préparation les meilleurs possibles. Pour cela, faire le réglage précis de RotoForce-3 en position horizontale.

- En général, le porte-échantillons est placé de manière à ce que les échantillons se déplacent à proximité de la périphérie du disque de préparation. Une distance d'environ 2 à 4 mm est adéquate.
- Il y a cependant trois exceptions: le papier de prépolissage avec adhésif double-face, les disques fixés de façon magnétique et Petrodisc-M. Dans ces trois cas, les échantillons doivent se déplacer au delà du bord.  
*NOTER!* Avec Petrodisc-M, les échantillons doivent également se déplacer au centre du disque. Ainsi, la planéité des échantillons la meilleure possible est obtenue et la planéité de Petrodisc-M est maintenue.

### Régler la force

Appuyer sur FORCE (F)▲ ou (F)▼ pour régler la force à la valeur désirée.



*RotoForce-3*  
*Mode d'emploi*

*Régler le temps de préparation*

Appuyer sur TEMPS  $\odot$ ▲ ou  $\odot$ ▼ pour régler le temps de préparation.

150N 01:00  
ARRE'T



150N 01:10  
ARRE'T

**Opération of Lupo**

- Régler le niveau de dosage.
- Régler Lupo en mode Auto.

**Opération de RotoForce-3**

- Après avoir réglé le temps et la force corrects sur RotoForce-3 et le niveau de dosage sur Lupo, appuyer sur Auto sur RotoForce-3.
- Appuyer sur MARCHE  $\diamond$  sur la machine de prépolissage/polissage pour mettre les deux machines en marche simultanément.
- Lorsque le temps préprogrammé est écoulé, toutes les machines s'arrêtent simultanément.

*RotoForce-3*  
*Mode d'emploi*

# Guide de référence

Table des matières	Page
<b>1. Réduction de la force</b> .....	16
<b>2. Accessoires</b> .....	17
<b>3. Indication d'erreurs</b> .....	19
<b>4. Maintenance</b>	
Quotidienne.....	20
Hebdomadaire.....	20
RotoForce .....	20
Lupo.....	20
<b>5. Données techniques</b> .....	21



## 1. Réduction de la force

RotoForce-3 possède une fonction permettant de réduire automatiquement la force vers la fin de la préparation.

Si REDUCTION FORCE est activé, la force va automatiquement être réduite à 50% de la valeur programmée pour le dernier tiers de l'étape de préparation. Ainsi, l'enlèvement de matière sera réduit et les rayures seront moins profondes que d'habitude. Le temps des étapes de préparation suivantes peut être réduit, car la quantité de matière endommagée à enlever sera réduite.

1500N 04:00  
ARRET



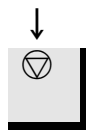
Appuyer sur MENU  jusqu'à l'affichage REDUCTION FORCE.


REDUCTION FORCE  
NON



Appuyer sur SELECTION  pour passer de NON à OUI.

REDUCTION FORCE  
OUI



Appuyer sur ARRET  pour accepter le choix. Le Menu Opération apparaît de nouveau.

150N 04:00  
ARRET

## 2. Accessoires

Spécification	Code
<i>Porte-échantillons, ø 140 mm</i> Pour 6 échantillons, ø 10-32 mm, aluminium Pour 6 échantillons, ø 10-32 mm, acier inoxydable Pour 4 échantillons, ø 10-40 mm, aluminium Pour 4 échantillons, ø 10-40 mm, acier inoxydable	PEDAL PEDST PEDFI PEDIS
<i>Porte-échantillons ø 160 mm</i> Pour 6 échantillons chacun de ø 25 mm/1", aluminium Pour 6 échantillons chacun de ø 30 mm, aluminium Pour 6 échantillons chacun de ø 1,1/4", aluminium Pour 4 échantillons chacun de ø 40 mm, aluminium Pour 4 échantillons chacun de ø 1,2", aluminium	MAXTO MAXUM MAXQU MAXLI MAXHA
<i>Porte-échantillons ø 160 mm</i> Pour 6 échantillons, ø 12-40 mm, acier inoxydable Pour 6 échantillons, ø 12-40 mm, aluminium Pour 12 échantillons, ø 10-25,5 mm, acier inoxydable Pour 6 échantillons plats (max. 34x60 mm), acier inoxydable Pour 6 échantillons, ø 30 or 22x44 mm, acier inoxydable Pour 3 échantillons plats (max. 41x72 mm), acier inoxydable Avec 3 attaches pour les fils ou les plaques (max. 24 x 52 mm) acier inoxydable	MAXCY MAXLU MAXDU MAXYK MAXIB MAXDI MAXAB
<i>Porte-échantillons ø 160 mm sans orifices</i> Porte-échantillons plan et solide pour l'adhésion des échantillons ou pour les formes spécialement adaptées au client Acier inoxydable Aluminium	MAXSO MAXAS
<i>Porte-échantillons ø 20mm</i> Pour 5 échantillons, ø 27-55 mm, acier inoxydable Pour 3 échantillons jusqu'à 70 mm ø ou un échantillon jusqu'à 180 mm ø, acier inoxydable Pour 3 échantillons plats (max. 53x70 mm), acier inoxydable	MAXUK MAXRU MAXOT
<i>Porte-échantillons ø 200 mm sans orifices</i> Porte-échantillons plan et solide pour l'adhésion des échantillons ou pour les formes spécialement adaptées au client Acier inoxydable Aluminium	MAXON MAXAN




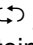

*RotoForce-3*  
*Mode d'emploi*

<b>Spécification</b>	<b>Code</b>
<i>Uniforce, Modèle de base</i> Dispositif de mise à niveau des échantillons dans des porte-échantillons de ø 140, 160, et 200 mm	MAXWI
<i>Uniforce, Modèle sophistiqué</i> avec sabot de pression pour positionner les échantillons	MAXFU
<i>Uniforce Kit d'extension</i> Sabot de pression pour positionner les échantillons	MAXMO
<i>Dispositif de mise à niveau pour mise à niveau des échantillons</i> dans porte-échantillons de 140 mm dia.	PEDFU
<i>LUPO, lubrificateur compte-gouttes optionnel supplémentaire</i>	PEDNY

**Se rappeler...**

Struers offre un large choix de consommables pour le prépolissage et le polissage. Demander les prospectus spéciaux.

### 3. Indication d'erreurs

Affichage/Erreur	Cause	Action
<b>RotoForce-3</b>		
SURCHARGE	RotoForce-3 s'arrête car le moteur est surchargé.	Attendre que le moteur refroidisse et que le message PAUSE/SURCHARGE apparaisse sur l'affichage.
PAUSE/ SURCHARGE	Le moteur est refroidi après la surcharge et RotoForce-3 est prêt à être utilisé.	Remettre RotoForce-3 en marche.
PAUSE/ PAS D'AIR	La pression d'air est trop basse.	Alimenter en pression d'air correcte et remettre en marche.
BLOQUEZ POIGNEE	La poignée n'a pas été tirée et RotoForce-3 n'est, pour le moment, pas bloqué.	Baisser la poignée.
Textes japonais	RotoForce-3 a la possibilité de montrer des affichages en japonais. Il se peut qu'en choisissant une langue européenne dans le menu LANGUE, la touche MENU  ne soit, par accident, pressée sur l'option Japonais.	<p>Pour retourner aux textes anglais, allemands ou français, suivre la procédure suivante:</p> <ul style="list-style-type: none"> <li>- Appuyer sur ARRET .</li> <li>- Appuyer deux fois sur MENU .</li> <li>- Appuyer sur SELECTION  jusqu'à ce que la langue choisie soit atteinte.</li> <li>- Appuyer sur ARRET .</li> </ul>
<b>Lupo</b>		
Dosage incorrect ou manquant	La buse de dosage est bouchée.	Nettoyer la buse à l'alcool.
Fuite de lubrifiant sous la bouteille	La bouteille n'a pas été vissée correctement.	<p>Visser fermement.</p> <p><b>Se rappeler</b> de retenir le support en plastique pour éviter d'endommager le joint du bas.</p>

## **4. Maintenance**

### **Quotidienne**

Nettoyer toutes les surfaces accessibles de la machine avec un chiffon humide.

### **Hebdomadaire**

#### *RotoForce*

- Débloquer RotoForce-3.
- Appuyer deux fois sur MARCHE  $\diamond$ .
- Nettoyer l'accouplement avec un chiffon propre. Pour assurer un mouvement facile de l'accouplement, il est recommandé de lubrifier l'accouplement avec une huile exempte d'acide.
- Appuyer sur ARRET  $\nabla$  pour replacer l'accouplement dans le cylindre.

#### *Lupo*

Pour éviter l'obstruction de la buse de Lupo, celle-ci doit être nettoyée une fois par semaine:

- Mettre l'interrupteur de Lupo sur ARRET  $\nabla$ .
- Retirer Lupo de son bras de support.
- Maintenir fermement la bouteille de lubrifiant Lupo et retirer le couvercle supérieur.
- Vider la bouteille, toujours montée sur Lupo, de tout reste de lubrifiant.
  - Remplir la bouteille d'eau additionnée de savon doux.
  - Remettre Lupo dans le bras de support.
  - Mettre l'interrupteur de Lupo sur MARCHE  $\diamond$ .
  - Régler le contrôle du dosage sur dosage max. (échelon 10) et laisser l'eau couler par la buse pendant 2 à 3 min.
  - Répéter les points ci-dessus mais remplir d'eau du robinet pour éliminer tout reste de savon.
  - Remplir de lubrifiant et remonter le couvercle supérieur.

## 5. Données techniques

Sujet	Specifications			
	Métrique/ Inter-national		US	
Disque	Vitesse de rotation		150 t/m	
	Rendement du moteur 50/60Hz		90/80W	
	Torsion au disque	Continue 50/60HZ	5.1/5.3Nm	3.8/3.9lb-ft
		Max. 50/60HZ	12.6/12.9Nm	9.3/9.5lb-ft
	Pression d'air		6 bar	
Echantillons	Force sur le porte-échantillons		30-400N en échelons de 10 N	
	Force de levage, vers le haut		max. 60N	
Dimensions et poids	Largeur		270 mm	
	Profondeur		450 mm	
	Hauteur		500 mm	
	Poids		25 kg	
			10.6"	
			17.7"	
			19.7"	
			55.1 lbs	

*RotoForce-3*  
*Mode d'emploi*

<b>Sujet</b>		<b>Spécifications</b>
Logiciel et fonctions électroniques	Affichage à cristaux liquides	2x16 caractères
	Touches de contrôle	Touches à effleurement
	Mémoire	EPROM, RAM et RAM permanent
	Marche/arrêt automatique	Avec: Lupo
	Communication y compris marche/arrêt automatique	Avec: RotoPol-21/22/25/31 Multidoser
	Echange de données	Avec: RotoCom
Environnement	Standards de sécurité	Généraux 89/392/EEC & 91/386/EEC & 93/44/EEC EN292-1, EN292-2, EN60204-1 (IEC 204-1) EMC 89/336/EEC & 92/231/EEC EN50081-1, EN50082-1 FCC part 15, subpart B
	Niveau de bruit	Env. 42 dB (A) en marche à vide, à une distance de 1,0 m/39,4" de la machine
	Température ambiante	5-40°C/41-104°F
	Humidité	0-95% RH sans condensation
Tension du courant	Consommation en courant 50/60Hz	180/165W (0,24/0,22CV)
	Nombre de phases	3 (3L + PE)
	Tension / fréquence:	Charge continue max.
	3 x 200 V, 50 Hz	1,35A
	3 x 220 V, 50 Hz	1,25A
	3 x 380 V, 50 Hz	0,80A
	3 x 415 V, 50 Hz	0,80A
	3 x 200 V, 60 Hz	1,40A
	3 x 220 V, 60 Hz	1,30A
3 x 440 V, 60 Hz	0,76A	
3 x 480 V, 60 Hz	0,72A	

# Carte de référence rapide

- |  |  |
|--|--|
| <b>Insérer un porte-échantillons</b>     | <ul style="list-style-type: none"><li>■ Placer le porte-échantillons sous l'accouplement rapide.</li><li>■ Appuyer et tenir le bouton de dégagement sur la colonne de RotoForce-3 tout en guidant le raccord d'accouplement du porte-échantillons dans l'accouplement.</li><li>■ Faire tourner le porte-échantillons jusqu'à ce que les trois tiges s'engagent dans les orifices correspondants.</li><li>■ Relâcher le bouton.</li></ul> |
| <b>Régler la force</b>                   | <ul style="list-style-type: none"><li>■ Appuyer sur FORCE (F)▲ ou (F)▼ pour régler la force à la valeur désirée.</li></ul>   |
| <b>Régler le temps de préparation</b>    | <ul style="list-style-type: none"><li>■ Appuyer sur TEMPS (T)▲ ou (T)▼ pour régler le temps à la valeur désirée.</li></ul>   |
| <b>Régler la position de RotoForce-3</b> | <ul style="list-style-type: none"><li>■ Débloquer RotoForce-3 en relevant la poignée.</li><li>■ Ajuster RotoForce-3 pour que les échantillons se déplacent à environ 2 à 4 mm de la périphérie du disque de préparation.</li><li>■ Bloquer RotoForce-3 dans cette position en rabaisant la poignée.</li></ul>  |
| <b>Procéder à la préparation</b>         | <ul style="list-style-type: none"><li>■ Régler le temps et la force sur RotoForce-3.</li><li>■ Régler RotoForce-3 sur Auto.</li><li>■ Régler Lupo sur Auto si un dosage de lubrifiant est nécessaire.</li><li>■ Appuyer sur MARCHE (M) sur RotoPol.</li></ul>  |



# RotoForce-3/-4



## Spare Parts and Diagrams

Manual No.: 15257003

Date of Release 30.01.2001





*RotoForce-3/-4*  
*Spare Parts and Diagrams*

---

**Always state *Serial No* and *Voltage/frequency*  
if you have technical questions or when ordering spare parts.**

The following restrictions should be observed, as violation of the restrictions may cause cancellation of Struers legal obligations:

**Instruction Manuals:** Struers Instruction Manuals may only be used in connection with Struers equipment covered by the Instruction Manual.

**Service Manuals:** Struers Service Manuals may only be used by a trained technician authorised by Struers. The Service Manual may only be used in connection with Struers equipment covered by the Service Manual.

Struers assumes no responsibility for errors in the manual text/illustrations. The information in this manual is subject to changes without notice. The manual may mention accessories or parts not included in the present version of the equipment.

The contents of this manual is the property of Struers. Reproduction of any part of this manual without the written permission of Struers is not allowed.

All rights reserved. © Struers 2001.

**Struers A/S**  
Valhøjs Allé 176  
DK-2610 Rødovre/Copenhagen  
Denmark  
Telephone +45 36 70 35 00  
Telefax: +45 38 27 27 01

---



## **Spare Parts and Diagrams**

<b>Table of contents</b>	<b>Drawing</b>
<b>RotoForce-3</b>	
<i>Drawings</i>	
Rotating Head, complete .....	14800107B
Front Cabinet, complete .....	15240061A
Back Cover, complete.....	15240051C
Chassis, complete.....	15240031D
 <i>Diagrams</i>	
Circuit diagram, RotoForce-3 .....	15243100A
Wiring diagram, RotoForce-3 .....	15243450C
Circuit board diagram .....	15253200E
Pneumatic diagram, RotoForce-3 .....	15240034A
 <b>RotoForce-4</b>	
<i>Drawings</i>	
Chassis, complete.....	15250032I
Rotating head, complete .....	14790390K
Front Cabinet, complete .....	15250062A
Back Cover, complete.....	15250052E
Pneumatic connections .....	14790020H
 <i>Diagrams</i>	
Circuit diagram, RotoForce-4 .....	15253100A
Wiring diagram, RotoForce-4 .....	15253450C
Circuit board diagram (see above).....	15253200E
Pneumatic diagram, RotoForce-4 .....	14790600C
Solenoid valves Y1+Y7, RotoForce-4 .....	14790200F
Solenoid valves Y2-Y5, RotoForce-4 .....	14790210C
 <b>Common Parts to RotoForce-3 and RotoForce-4</b>	
<i>Drawings</i>	
Fixture, complete for RotoForce-3/-4.....	14600230B
Lupo.....	14820010B
 <i>Diagrams</i>	
Circuit diagram, Lupo .....	14823100

Some of the drawings may contain position numbers not used in connection with this manual.

*RotoForce-3/-4*  
*Spare Parts and Diagrams*

**Spare Parts List, RotoForce-3**

<b>Drawing</b>	<b>Pos.</b>	<b>Spare Part</b>	<b>Cat. no:</b>
14800107		<i>Rotating head, complete</i>	
	20	O-ring 68.00-2.00 (10 pcs.)	RIO20080
	30	Key + half moon ring	R4790418
	40	Pressure spring Ø22.1x0.9	R4790421
	110	K-ring N 896/55.1	RIK00055
	130	Rubber pad (10 pcs)	R4790442
15240061		<i>Front Cabinet, complete</i>	
	30	PCB, with PROM & Display	15242398
	30	PROM, latest version	R5253901
15240051		<i>Back Cover, complete</i>	
	110	Main switch, complete	2SE20401
	380	630mA Fuse (10 pcs)	315MP138
15240031		<i>Chassis, complete</i>	
	80	Ball bearing 6007-2z ø35/62x14	2BK00112
	140	Set of seals	14790103
	240	Cover Ø 21 (10 pcs)	RGD54025
	310	Poly-V belt (L=508 mm)	RJD30508
	400	Solenoid valve block (Y4-Y5), complete	15240032
	400	3/2 Solenoid valve 12VDC	RYM10114
	400	Gasket, PVC M5 (10 pcs)	14792902
430	Micro switch	14790217	

*RotoForce-3/-4*  
*Spare Parts and Diagrams*

**Spare Parts List, RotoForce-4**

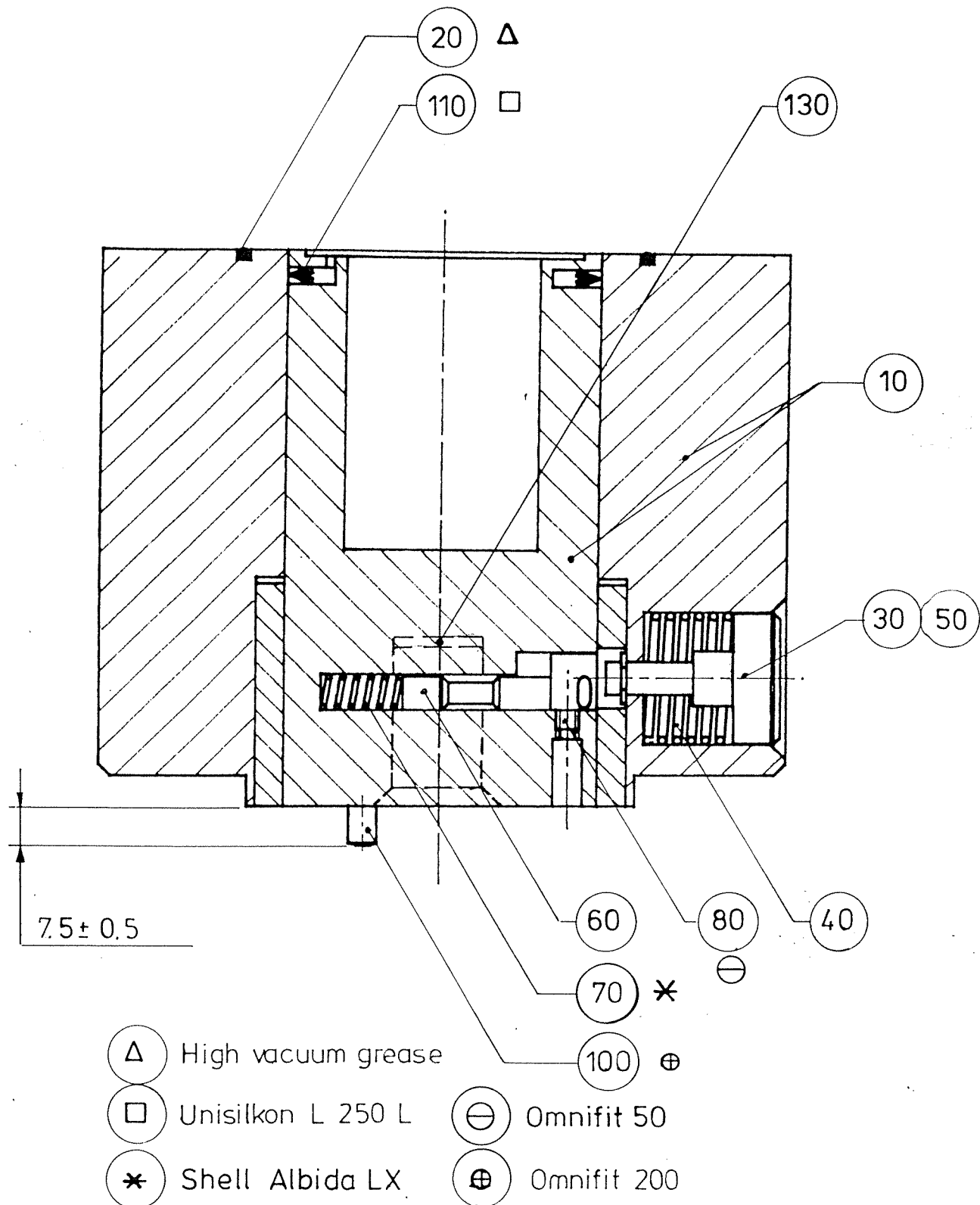
<b>Drawing</b>	<b>Pos.</b>	<b>Spare Part</b>	<b>Cat. no:</b>
15250032		<i>Chassis, complete</i>	
	60	Ball bearing, 6007-2Z	2BK00112
	120	Set of seals	14790103
	a	O-Ring 15.60-2.40 (2 pcs)	
	b	O-Ring 7.65-1.78 (2 pcs)	
	c	O-Ring 28.00-2.00	
	260	Cover Ø 21 ELMA (10 pcs)	RGD54025
	370	Poly-V belt (L=508 mm)	RJD30508
	420	V-ring VS-0040	RIV00040
	430	Set of seals	14790103
	450	QUAD-Ring	RIQ04215
	545	Gasket, PVC M5. (10 pcs.)	14792902
	550	3/2 Solenoid valve M5 12VDC	RYM10112
	570	3/2 Solenoid valve 12VDC	RYM10114
	610	Micro switch	14790217
	740-750	Screw with ball and spring, M8 + Nut	RTX90816
	14790390		Rotating head, complete
		Replacement Rotating head, complete, RF-4	14792904
20		O-Ring 110.00-2.00	RIO20090
30		O-Ring 36.00-2.00 (5 pcs)	386MP025
40		Key + half moon ring	R4790418
140		Rubber pad (10 pcs)	R4790442
180		Bellows, rubber/V6-752	454MP078
		Clamping ring for foot (6 pcs)	R3750351
210		Pressure foot	454MP077
220		O-ring Ø8.30-2.40	RI024015
15250062		<i>Front Cabinet, complete</i>	
	10	Front cabinet with touch pad keyboard	15250500
	30	PCB with PROM & Display	15252372
	30	PROM, latest version	R5253901
15250052		<i>Back Cover, complete</i>	
	70	Mechanical blocking CM 4	2KH10021
	80	Main switch, complete	2SE20401
	250	630mA Fuse (10 pcs)	315MP138
14790020		<i>Pneumatic connections</i>	
	10	Quick coupling double	2NF10055
	11	Spiral hose type SPF 15, 333 mm	2WK90015

*RotoForce-3/-4*  
*Spare Parts and Diagrams*

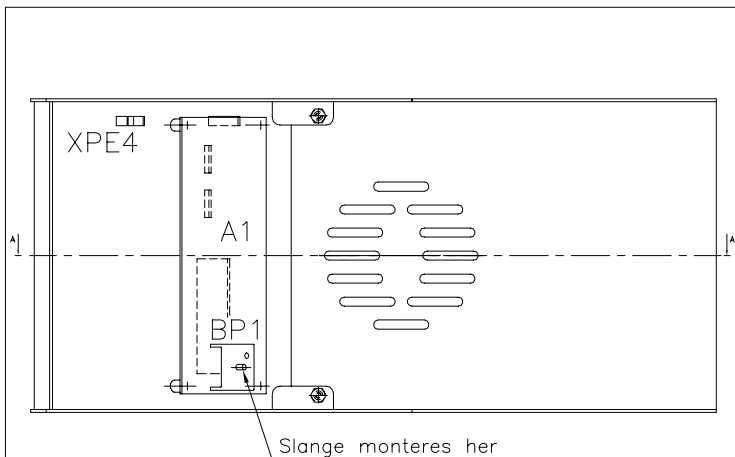
**Common Parts to RotoForce-3 and RotoForce-4**

<b>Drawing</b>	<b>Pos.</b>	<b>Spare Part</b>	<b>Cat. no:</b>
14600230		<i>Fixture, complete</i>	
	20	Glider	14600232
	60	O-ring 3.00-1.00 (10 pcs.)	315MP036
	70	Nozzle fixture	R4600083
14820010		<i>Lupo</i>	
	30	Valve block	R4820021
	40	Nylon washer (20 pcs.)	R4822901
	50	Bottle screw	R4820026
	60	Washer Ø31x1 (10 pcs)	R4820027
	70	Lupo lubricant bottle	R4820028
	71	Top Lid for Lupo Bottle	R4820056
	80	Solenoid valve, 24VDC	RYM10124
	80	PCB logical card with solenoid valve	R4823000
	100- 120	ELMA dial (mode switch) button, ø3	255MP074A
130	Dosing switch button	2GD12225	

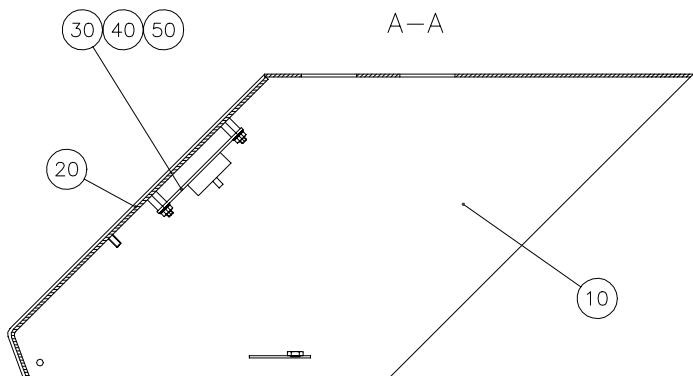




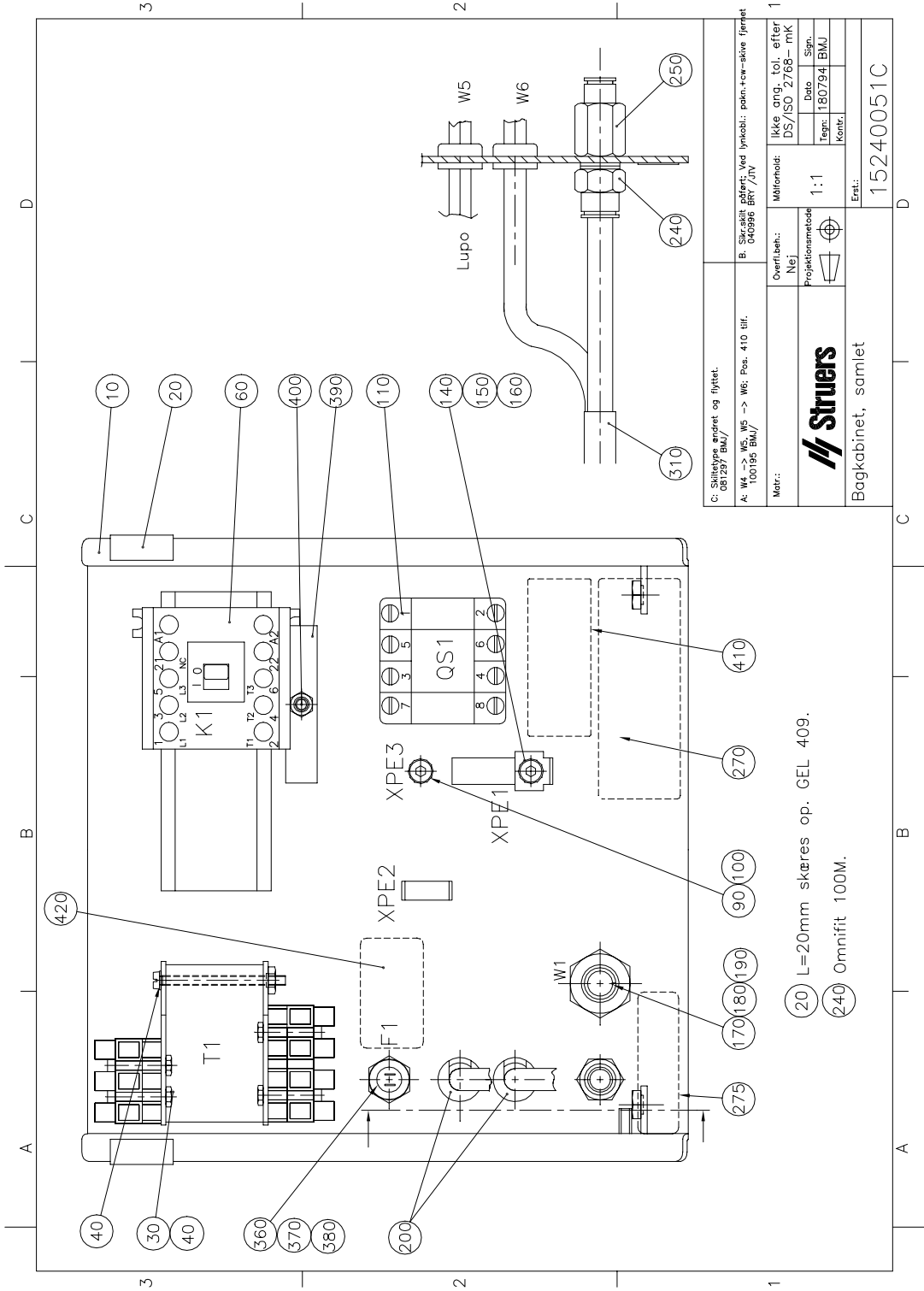
Matr.		Målestok: 1:1					
		Ikke ang. tolerancer: ±	Overfl.-behandl. Ja <input type="checkbox"/> Nej <input checked="" type="checkbox"/>				
		Ikke ang. ruheder:	<table border="1"> <tr> <td>Date</td> <td>Sign.</td> </tr> <tr> <td>Tegn. 31.7 92</td> <td>B</td> </tr> <tr> <td>Kontr.</td> <td>O: B</td> </tr> </table>	Date	Sign.	Tegn. 31.7 92	B
Date	Sign.						
Tegn. 31.7 92	B						
Kontr.	O: B						
B: 7 ± 0,5 → 7,5 ± 0,5 Fedt → Shell Albida LX 00997 BMS/791	Kode	Anv. i type:	Erst.:				
A Omnifit 50 tilf. 16.11.92 B3/791		Hoved, saml.	14800107 E				



A-A



	Matr.:	Overfl.beh.:	Målforhold:	Ikke ang. tol. efter DS/ISO 2768-	
		Projektionsmetode 	1:2.5		Dato
					Sign.
				Tegn:	160894
		Kontr.:			
A. Kab.bøjle og nyl.ski- ver fjern. 040996 BRY	Frontkabinet, RotoForce-3, samlet		Erst.:		
			15240061A		



C. Skilteplade ændret og flyttet.  
081237 BMJ/

A. W4 -> W5, W5 -> W6. Pos. 410 tilf.  
100195 BMJ/

B. Særskilt påført: Ved lynkobli. pakn.+cw-såve fjernet  
040996 BRT /JIV

Mær:	Overflæbe: (NE)	Målestørrelse: 1:1	Ikke. ang. Tol. efter DS/ISO 2768-mK
	Projektionsmetode 	Dato	Sign.
		Tegn.: 180794	BMJ
		Kontr.:	

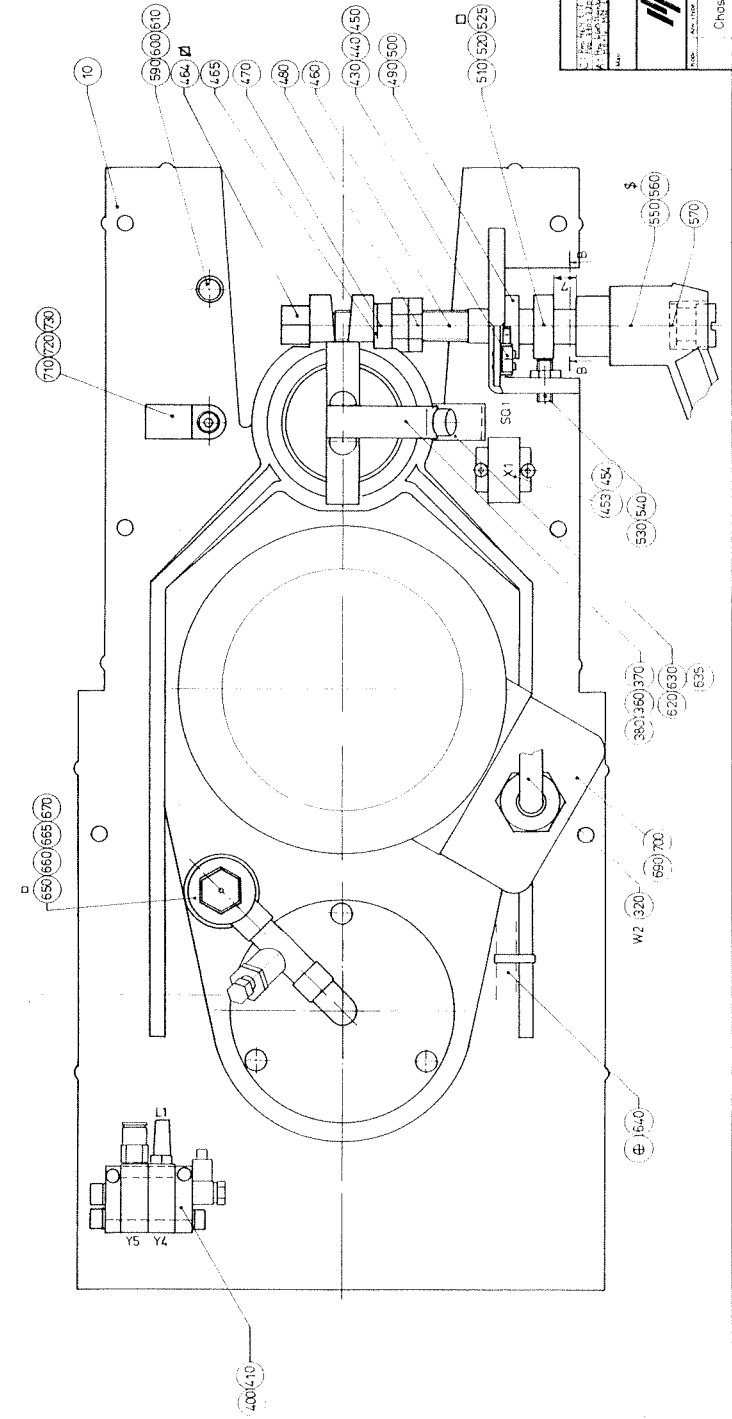
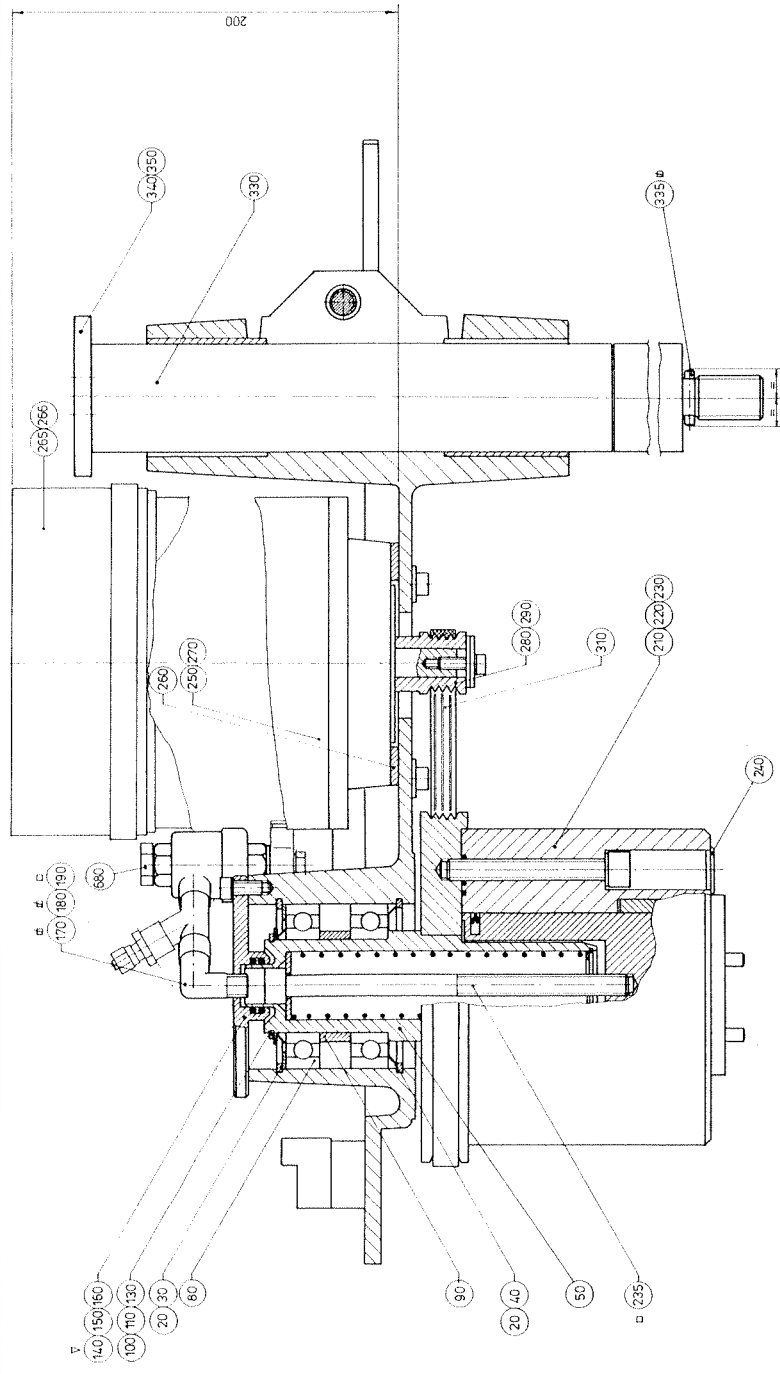


Bagkabinnet, samlet

Eret.:  
15240051C

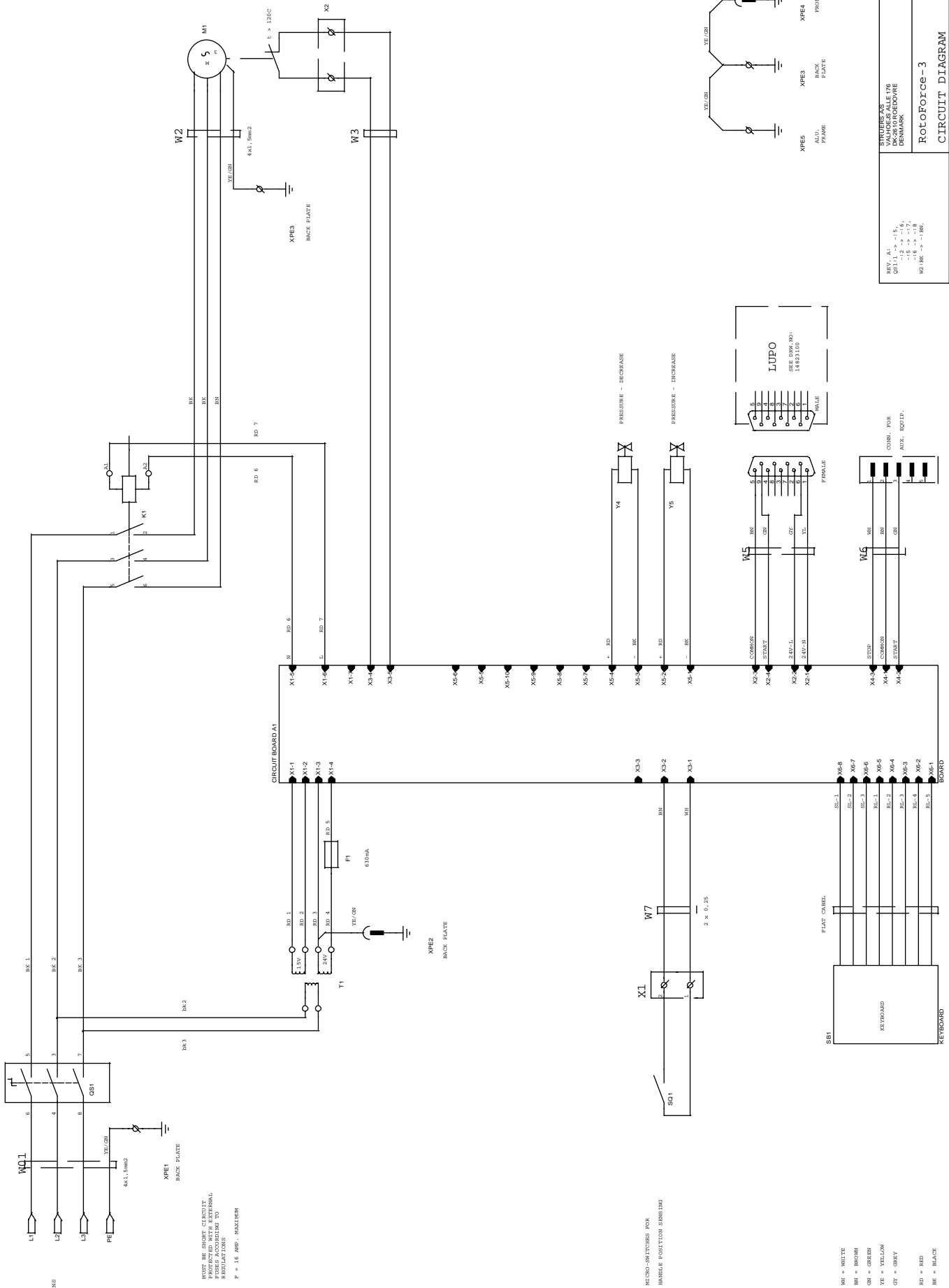
20 L=20mm skræres op. GEL 409.

240 Omnit 100M.



- ⊕ Omnit 200M
- ⊙ Omnit 100M
- ⊕ Lechingsbundt
- ⊕ Centraalwieltecl EPD
- ⊙ Omnit 50 M

		Chassis, somi Roto-Force-3 1524-0031D	
No. 1524-0031D 1524-0031D 1524-0031D 1524-0031D		1524-0031D 1524-0031D 1524-0031D 1524-0031D	

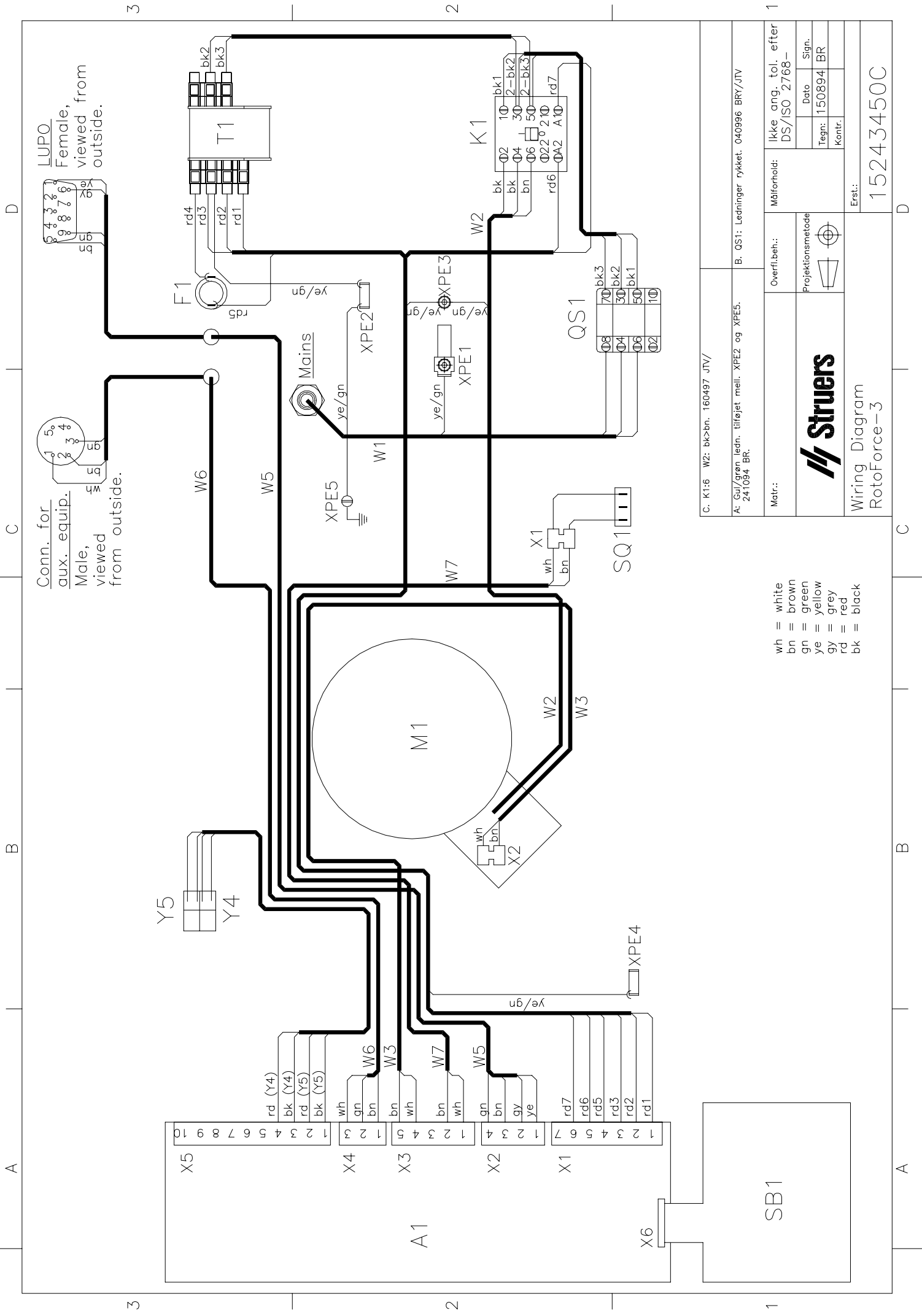


\* MUST BE SHORT CIRCUIT PROTECTED WITH EXTERNAL REGULATORS  
 P = 16 AMP. MAXIMUM

MICRO-SWITCHES FOR HANDLE POSITION SENSING  
 WH = WHITE  
 BR = BROWN  
 GN = GREEN  
 YE = YELLOW  
 OY = GREY  
 BK = RED  
 BK = BLACK

SYNERGY'S VALBORES ALLE 796 28000 BANGSBO DENMARK		<b>RotoForce-3</b> CIRCUIT DIAGRAM	
REV. A1 - 15	Scale	Sheet	1 of 1
REV. A2 - 16	15243100		
REV. A3 - 17			
REV. A4 - 18			
REV. A5 - 19			
REV. A6 - 20			
REV. A7 - 21			
REV. A8 - 22			
REV. A9 - 23			
REV. A10 - 24			
REV. A11 - 25			
REV. A12 - 26			
REV. A13 - 27			
REV. A14 - 28			
REV. A15 - 29			
REV. A16 - 30			
REV. A17 - 31			
REV. A18 - 32			
REV. A19 - 33			
REV. A20 - 34			
REV. A21 - 35			
REV. A22 - 36			
REV. A23 - 37			
REV. A24 - 38			
REV. A25 - 39			
REV. A26 - 40			
REV. A27 - 41			
REV. A28 - 42			
REV. A29 - 43			
REV. A30 - 44			
REV. A31 - 45			
REV. A32 - 46			
REV. A33 - 47			
REV. A34 - 48			
REV. A35 - 49			
REV. A36 - 50			
REV. A37 - 51			
REV. A38 - 52			
REV. A39 - 53			
REV. A40 - 54			
REV. A41 - 55			
REV. A42 - 56			
REV. A43 - 57			
REV. A44 - 58			
REV. A45 - 59			
REV. A46 - 60			
REV. A47 - 61			
REV. A48 - 62			
REV. A49 - 63			
REV. A50 - 64			
REV. A51 - 65			
REV. A52 - 66			
REV. A53 - 67			
REV. A54 - 68			
REV. A55 - 69			
REV. A56 - 70			
REV. A57 - 71			
REV. A58 - 72			
REV. A59 - 73			
REV. A60 - 74			
REV. A61 - 75			
REV. A62 - 76			
REV. A63 - 77			
REV. A64 - 78			
REV. A65 - 79			
REV. A66 - 80			
REV. A67 - 81			
REV. A68 - 82			
REV. A69 - 83			
REV. A70 - 84			
REV. A71 - 85			
REV. A72 - 86			
REV. A73 - 87			
REV. A74 - 88			
REV. A75 - 89			
REV. A76 - 90			
REV. A77 - 91			
REV. A78 - 92			
REV. A79 - 93			
REV. A80 - 94			
REV. A81 - 95			
REV. A82 - 96			
REV. A83 - 97			
REV. A84 - 98			
REV. A85 - 99			
REV. A86 - 100			

Thursday, June 08, 2000  
 Scale  
 Sheet  
 15243100  
 DWG NO  
 Rev



Conn. for  
aux. equip.  
Male,  
viewed  
from outside.

LUPO  
Female,  
viewed from  
outside.

- wh = white
- bn = brown
- gn = green
- ye = yellow
- gy = grey
- rd = red
- bk = black

C. K1:6 W2: bk>bn. 160497 JTV/

A: Gul/grøn ledn. tilføjet mell. XPE2 og XPE5.  
B. QS1: Ledninger rykket. 040996 BR7/JTV

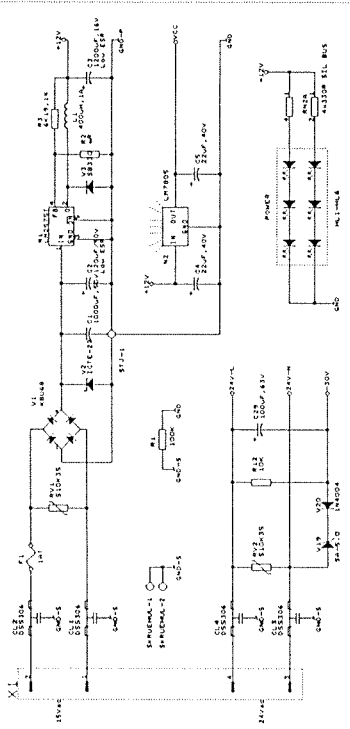
Matr.:	Overfl.beh.:	Målforhold:	Ikke ang. tol. efter DS/ISO 2768-
	Projektionsmetode		Dato Sign.
			Tegn: 150894 BR
			Kontr.



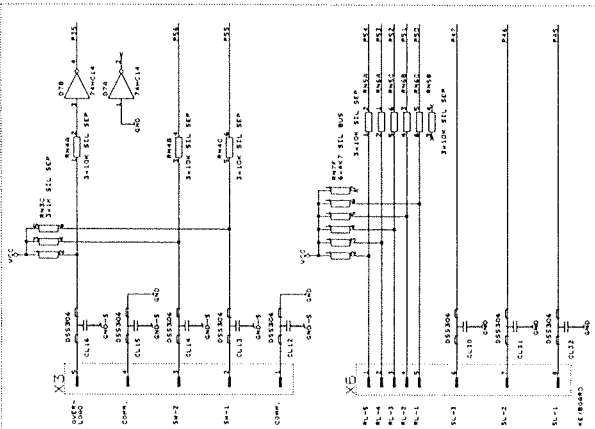
Wiring Diagram  
RotoForce-3

Erst.:  
15243450C

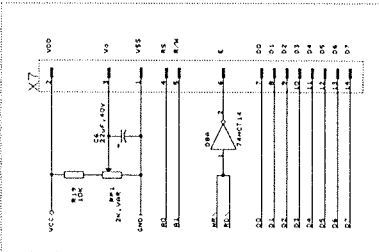
POWER SUPPLY



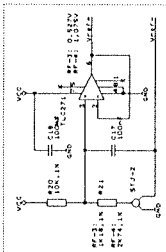
KEYBOARD + OVERLOAD + HANDLE POS. INPUT



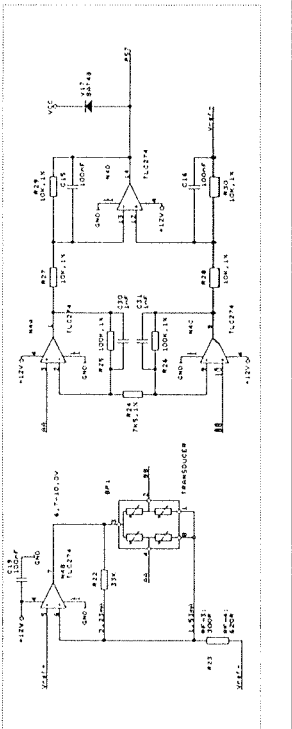
DISPLAY INTERFACE



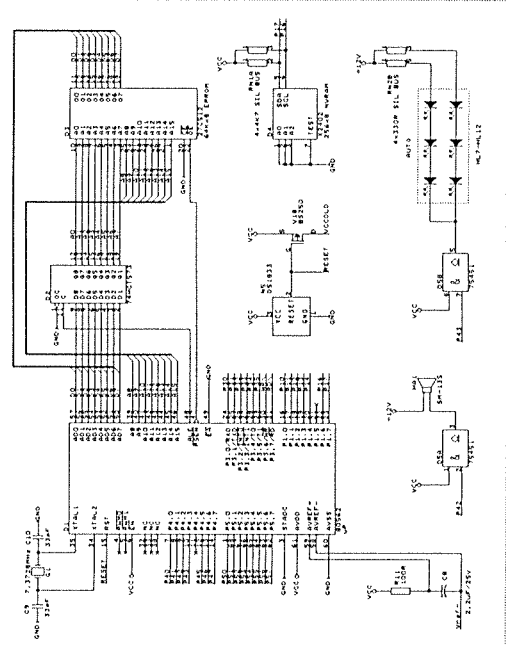
VOLTAGE REFERENCE



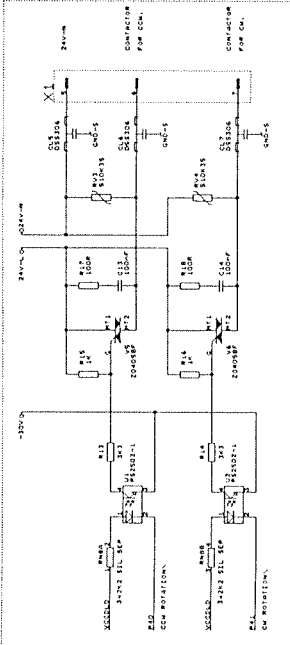
PRESSURE TRANSDUCER INTERFACE



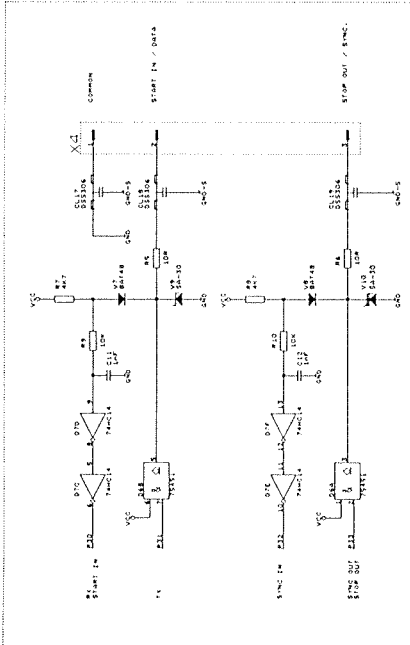
UP-CIRCUIT



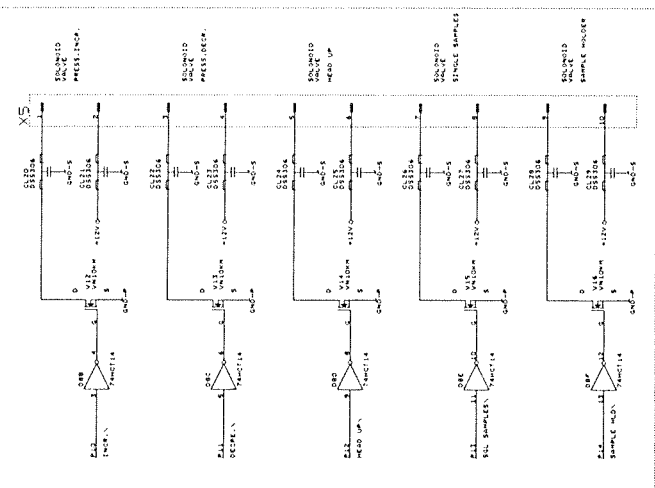
24V AC-OUTPUTS



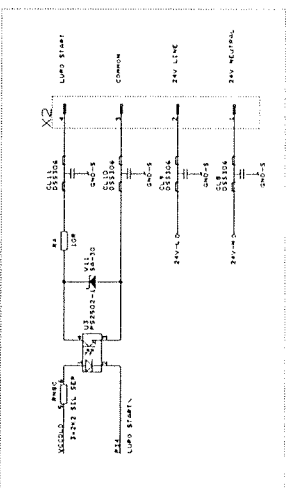
COMMUNICATION INTERFACE



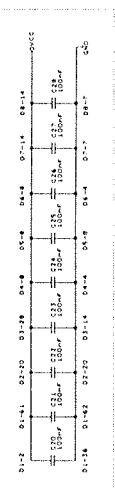
12V DC-OUTPUTS



LUPO INTERFACE

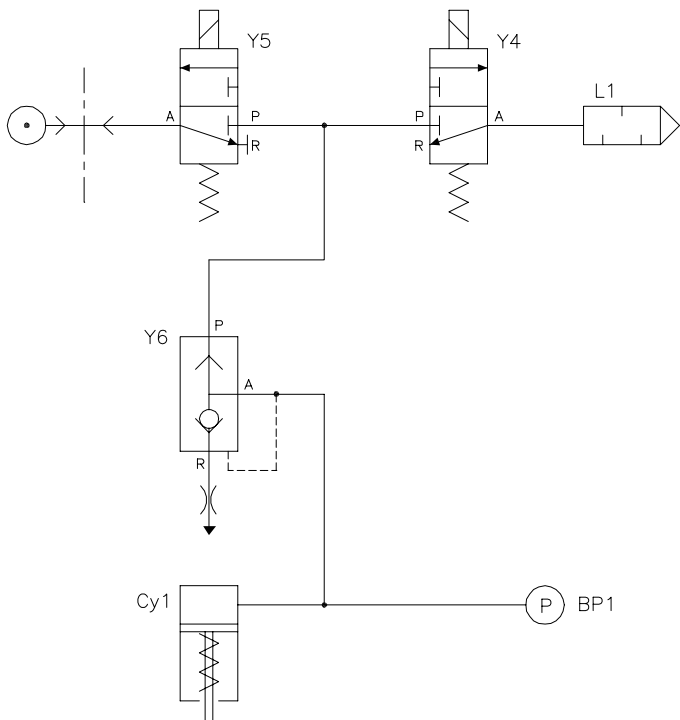



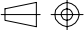
DECOUPLING



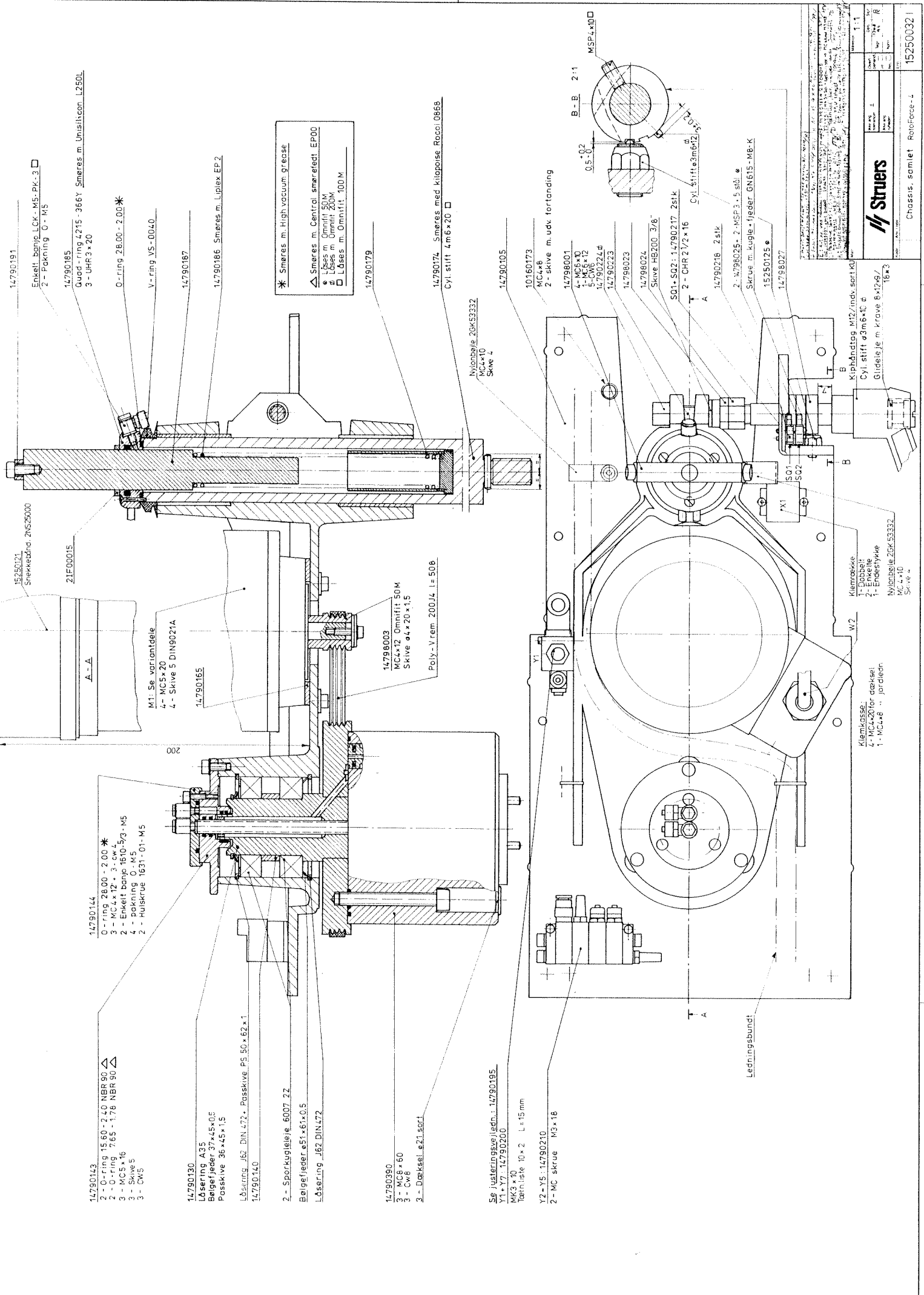
REV. 1	15253200	1
REV. 2		
REV. 3		
REV. 4		
REV. 5		
REV. 6		
REV. 7		
REV. 8		
REV. 9		
REV. 10		
REV. 11		
REV. 12		
REV. 13		
REV. 14		
REV. 15		
REV. 16		
REV. 17		
REV. 18		
REV. 19		
REV. 20		
REV. 21		
REV. 22		
REV. 23		
REV. 24		
REV. 25		
REV. 26		
REV. 27		
REV. 28		
REV. 29		
REV. 30		
REV. 31		
REV. 32		
REV. 33		
REV. 34		
REV. 35		
REV. 36		
REV. 37		
REV. 38		
REV. 39		
REV. 40		
REV. 41		
REV. 42		
REV. 43		
REV. 44		
REV. 45		
REV. 46		
REV. 47		
REV. 48		
REV. 49		
REV. 50		
REV. 51		
REV. 52		
REV. 53		
REV. 54		
REV. 55		
REV. 56		
REV. 57		
REV. 58		
REV. 59		
REV. 60		
REV. 61		
REV. 62		
REV. 63		
REV. 64		
REV. 65		
REV. 66		
REV. 67		
REV. 68		
REV. 69		
REV. 70		
REV. 71		
REV. 72		
REV. 73		
REV. 74		
REV. 75		
REV. 76		
REV. 77		
REV. 78		
REV. 79		
REV. 80		
REV. 81		
REV. 82		
REV. 83		
REV. 84		
REV. 85		
REV. 86		
REV. 87		
REV. 88		
REV. 89		
REV. 90		
REV. 91		
REV. 92		
REV. 93		
REV. 94		
REV. 95		
REV. 96		
REV. 97		
REV. 98		
REV. 99		
REV. 100		

ROTORFORCE 3+4  
CIRCUIT BOARD DIAGRAM  
15253200



Matr.:	Overfl.beh.:	Målførhold:	Ikke ang. tol. efter DS/ISO 2768-	
		Projektionsmetode	Dato	Sign.
			Tegn: 310894	BR
A: Glem signatur for drøveprop tilføjet. 040795 BMJ/		Pneumatic Diagram, RotoForce-3		Erst.: 15240034A





Revision		1.1	
Udgivet	Godkendt	Udgivet	Godkendt



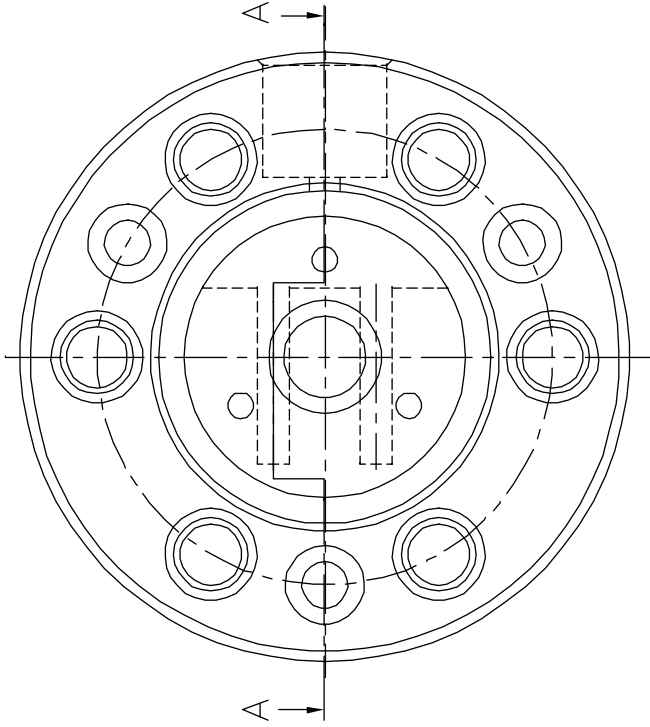
Chassis, smiet Rotoforce-L 152500321

A

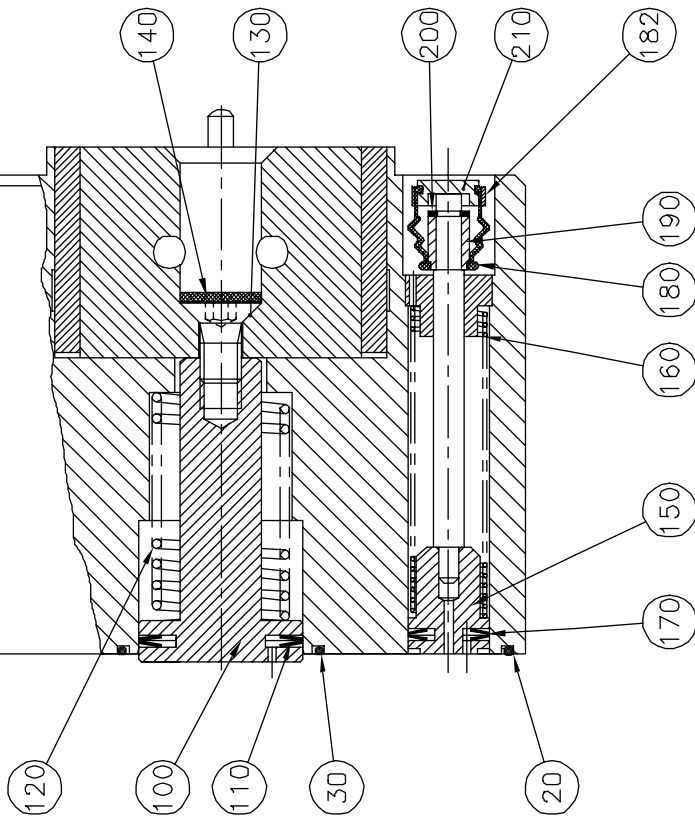
B

C

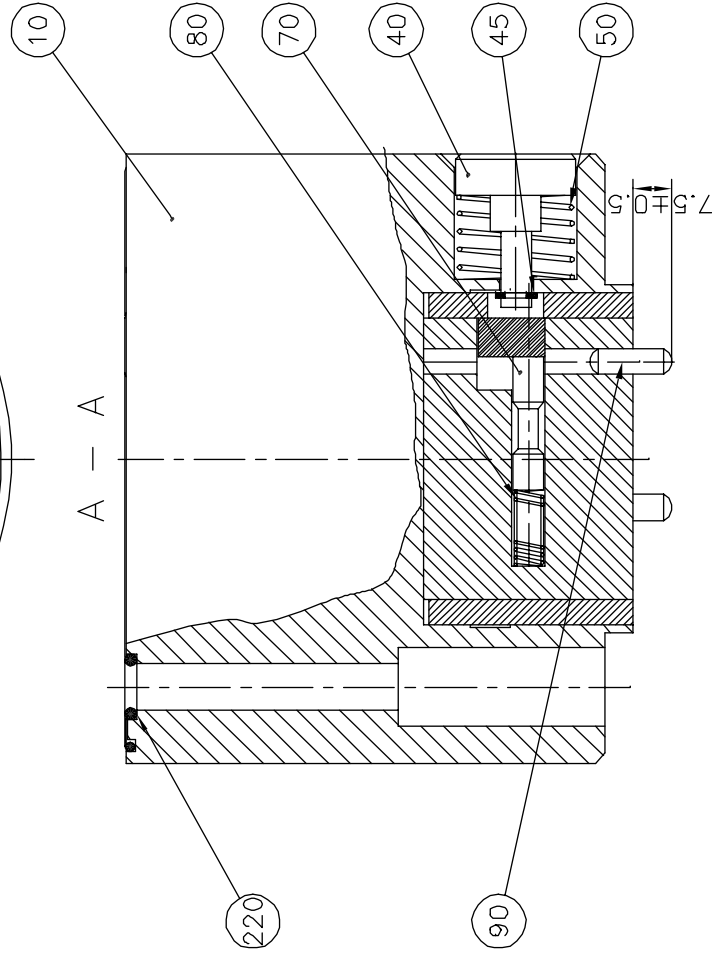
D



3



2



1

- 110 150 170 Smøres med Unisilikon L250L
- 90 Omnifit 200 M
- 220 20 30 Smøres med High Vacuum Grease
- 70 80 210 Bunden smøres med Albida Grease LX

U: tegn overført til CAD 150794 BMJ/JTV K. Pos.220: High Vacuum Grease tilf. 060996 BRV

Metr.: Ikke ang. tol. efter DS/ISO 2768-mK

Målføholdt: 1:1

Overfl. beh.:

Projektionsmetode:

**Struers**

Ikke ang. tol. efter DS/ISO 2768-mK

Tegn: 140794 BMJ

Dato: 140794 BMJ

Kontr.: 040791 OKB

Erst.: 14790390I

Hoved, monteret

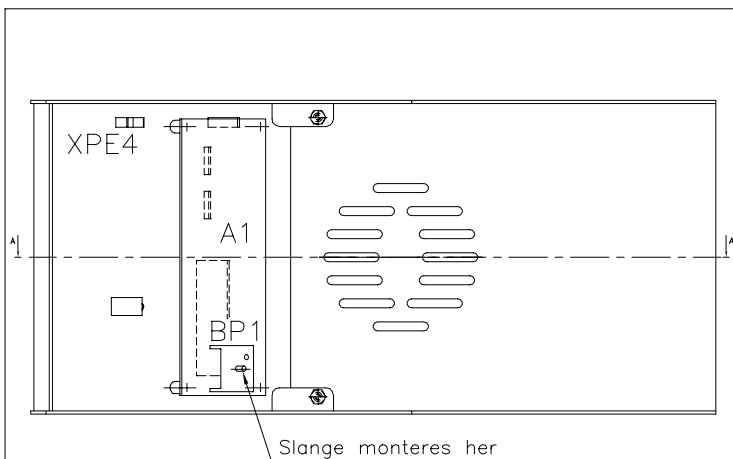
14790390K

A

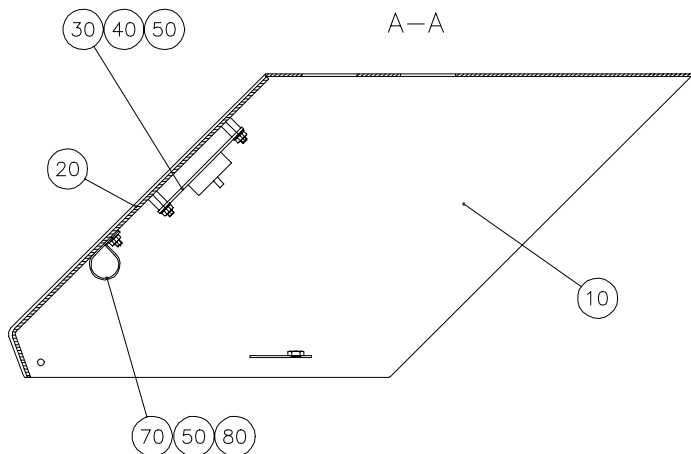
B

C

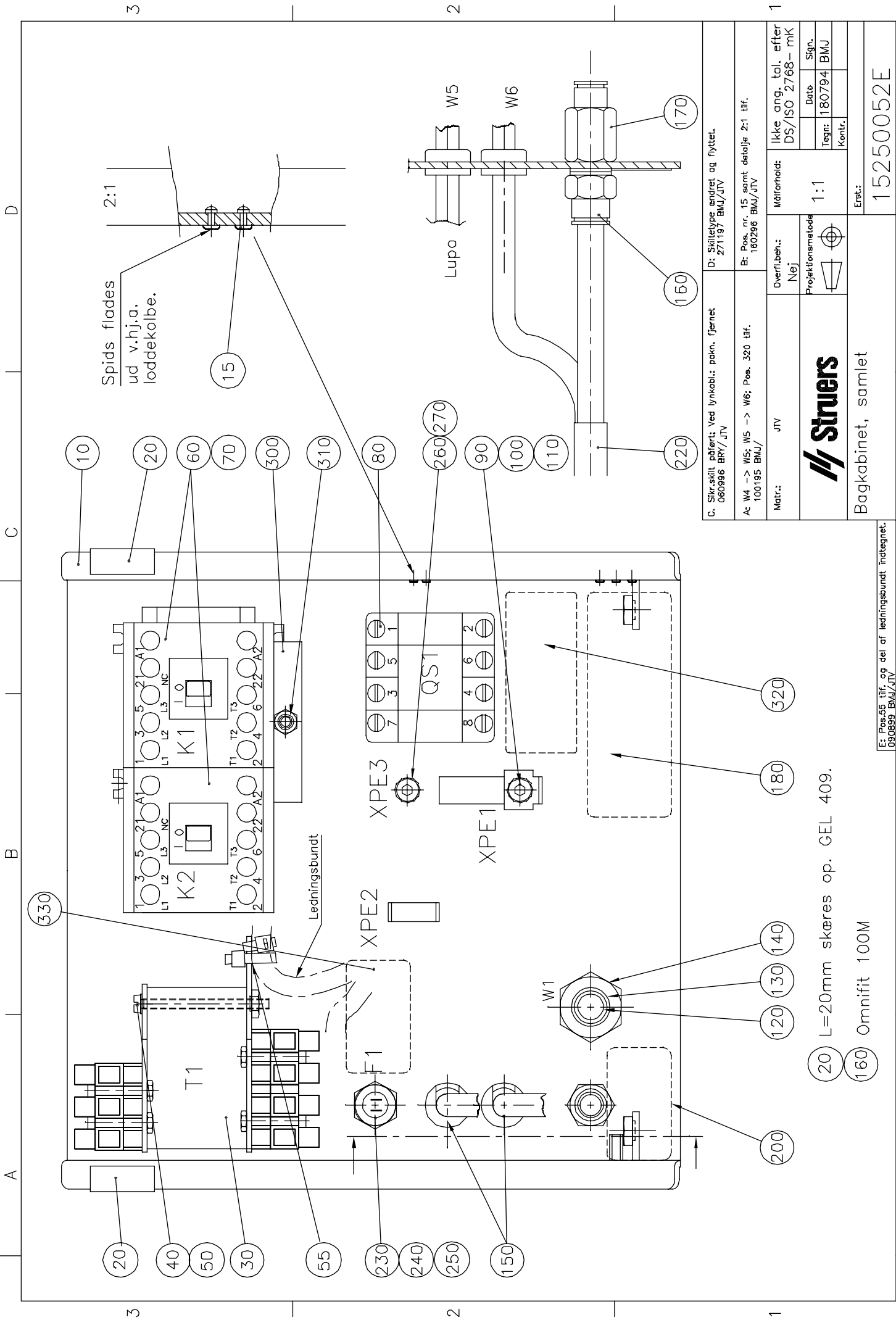
D



A-A



	Matr.:	Overfl.beh.:	Målforhold:	Ikke ang. tol. efter DS/ISO 2768-	
		Projektionsmetode 	1:2.5	Date	Sign.
				Tegn: 100894	BR
				Kontr.	
A. Nyl.sk. fjern.; gl.sk.4 tilf. v. kob.bøjle. 100996 BRV.	Frontkabinet, RotoForce-4, samlet		Erst.: 15250062A		



C. Styrskilt påført: Ved lynkobi.: pakn. fjernet  
060996 BRV/JTV

D: Skilletepe ændret og flyttet.  
271197 BMJ/JTV

A: W4 -> W5; W5 -> W6; Pos. 320 tilf.  
100195 BMJ/JTV

B: Pos. nr. 15 samt detalje 2:1 tilf.  
160296 BMJ/JTV

Matr.: JTV

Overfl. beh.: Nej

Projektionsmetode

Målførelse: 1:1

Ikke ang. tal. efter DS/ISO 2768-mK

**Struers**

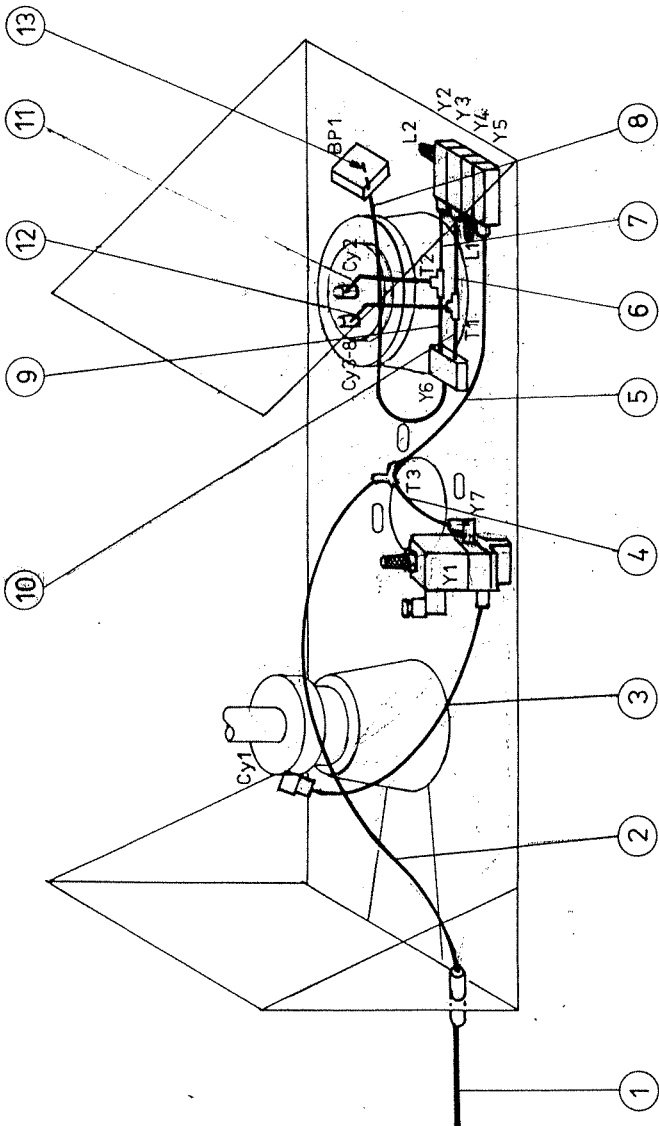
Bagkabinnet, samlet

Eret.: 15250052E

20 L=20mm skæres op. GEL 409.

160 Omnifit 100M

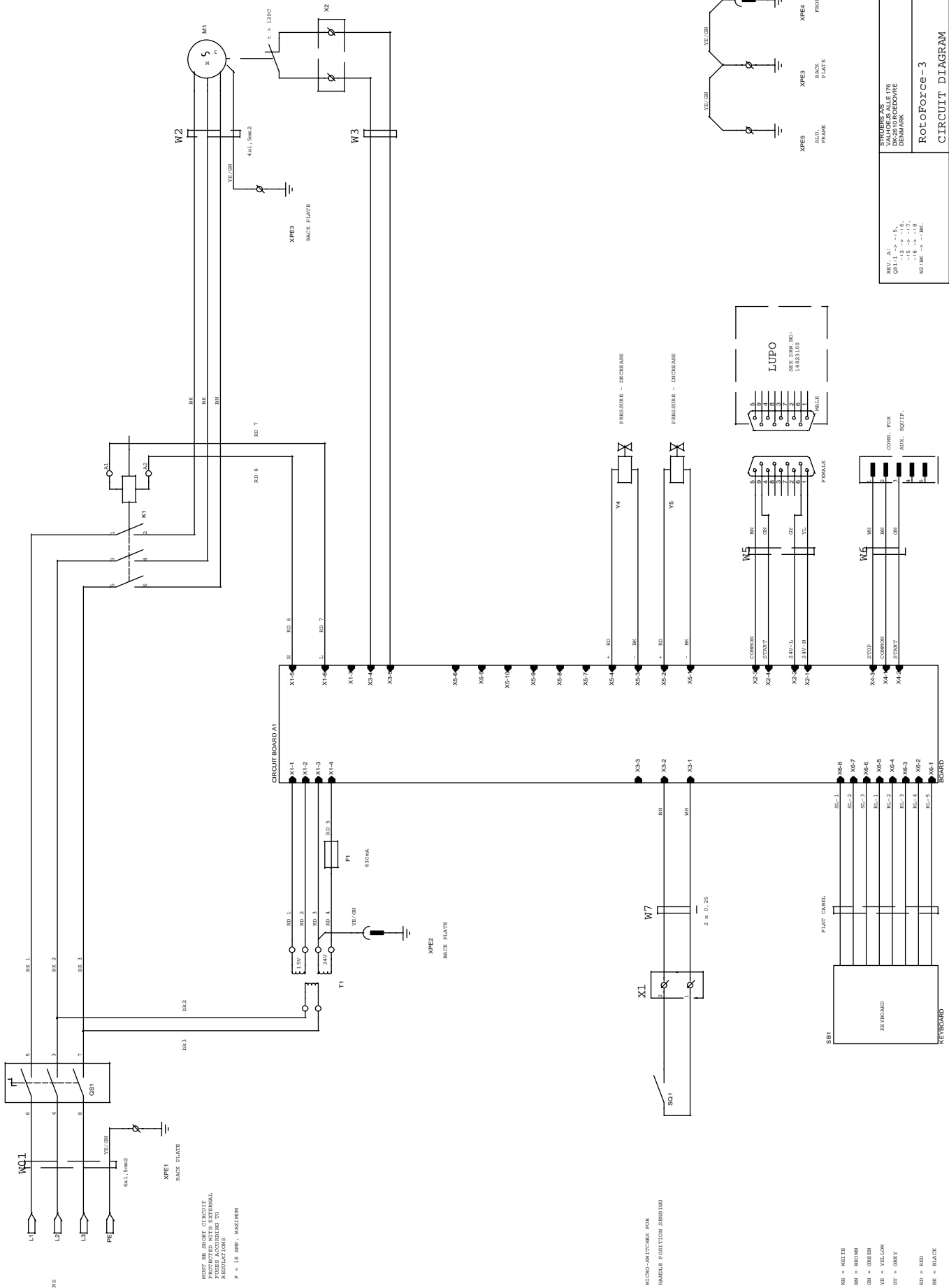
E: Pos.56 tilf. og del af ledningsbundt indtegnet.  
090889 BMJ/JTV



- ① Tilslutningslange  $\phi 6/\phi 8$  l = 550 mm
- ② Y6 - BP1 \_\_\_\_\_ PU3 l = 450 "
- ③ Cy1 - Y1 \_\_\_\_\_ PU3 l = 250 "
- ④ Ind - T3 \_\_\_\_\_  $\phi 5/\phi 3$  l = 300 "
- ⑤ Y7 - T3 \_\_\_\_\_ " l = 45 "
- ⑥ T3 - Y5 \_\_\_\_\_ " l = 160 "
- ⑦ Y3 - T1 \_\_\_\_\_ " l = 30 "
- ⑧ Y2 - T2 \_\_\_\_\_ " l = 30 "
- ⑨ Y6 - T2 \_\_\_\_\_ " l = 20 "
- ⑩ Y6 - T1 \_\_\_\_\_ " l = 20 "
- ⑪ T2 - Cy2 \_\_\_\_\_ " l = 80 "
- ⑫ T1 - Cy3-8 \_\_\_\_\_ " l = 80 mm
- ⑬ 14590110 1stk.

C. T3: T $\rightarrow$ Y nippel $\phi 175 \rightarrow 100$ 2 $\frac{1}{16}$ 91 B3/OKB		F. Slange længde: ændret 100996 B/77V	
B. Div. sl. lgd. ændr. $\frac{1}{16}$ 91 B3/OKB		E: Pos. 13 tilf. 21/10.93 /FY	
A. Y $\rightarrow$ T3 Div. lgd. ændr. 489 $\frac{1}{16}$ 91 B3/OKB		Slange lgd. ændr. 20/10.92 B3/77V	
Matr. _____ Målestok: _____			
<b>Struers</b>	Ikke ang. tolerancer: <input checked="" type="checkbox"/> ±	Overfl. behandling: <input type="checkbox"/> Ja <input type="checkbox"/> Nej	Dato Sign. 13/6/91 $\phi J$
		Ikke ang. ruheder: <input type="checkbox"/>	Kontr. 17/9/OKB
Kode	Anv. I type:	Erst:	
		14790020H	

H: POS 13  $\rightarrow$  45, 6, 6 mm 64-98 (VH/77V)  
 E: POS 13  $\rightarrow$  45, 6, 6 mm 18/10.93 (VH/77V)



\* MUST BE SHORT CIRCUIT PROTECTED WITH EXTERNAL REGULATORS  
 P = 16 AMP. MAXIMUM

MICRO-SWITCHES FOR HANDLE POSITION SENSING  
 WH = WHITE  
 BR = BROWN  
 GN = GREEN  
 YE = YELLOW  
 OY = GREY  
 BK = RED  
 BK = BLACK

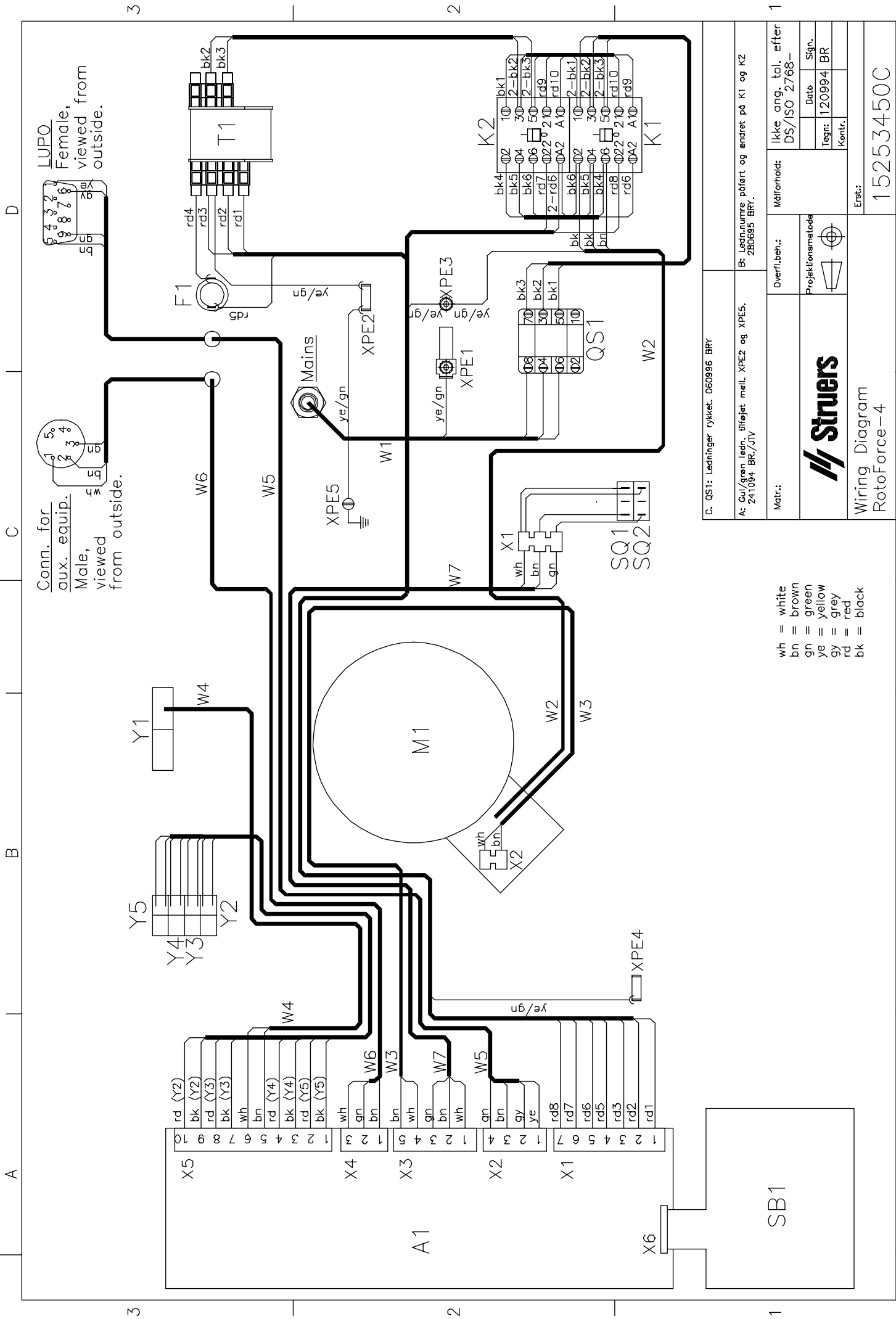
REV. A1 - 15	15243100	1	of 1
REV. A2 - 16			
REV. A3 - 17			
REV. A4 - 18			
REV. A5 - 19			
REV. A6 - 20			
REV. A7 - 21			
REV. A8 - 22			
REV. A9 - 23			
REV. A10 - 24			
REV. A11 - 25			
REV. A12 - 26			
REV. A13 - 27			
REV. A14 - 28			
REV. A15 - 29			
REV. A16 - 30			
REV. A17 - 31			
REV. A18 - 32			
REV. A19 - 33			
REV. A20 - 34			
REV. A21 - 35			
REV. A22 - 36			
REV. A23 - 37			
REV. A24 - 38			
REV. A25 - 39			
REV. A26 - 40			
REV. A27 - 41			
REV. A28 - 42			
REV. A29 - 43			
REV. A30 - 44			
REV. A31 - 45			
REV. A32 - 46			
REV. A33 - 47			
REV. A34 - 48			
REV. A35 - 49			
REV. A36 - 50			
REV. A37 - 51			
REV. A38 - 52			
REV. A39 - 53			
REV. A40 - 54			
REV. A41 - 55			
REV. A42 - 56			
REV. A43 - 57			
REV. A44 - 58			
REV. A45 - 59			
REV. A46 - 60			
REV. A47 - 61			
REV. A48 - 62			
REV. A49 - 63			
REV. A50 - 64			
REV. A51 - 65			
REV. A52 - 66			
REV. A53 - 67			
REV. A54 - 68			
REV. A55 - 69			
REV. A56 - 70			
REV. A57 - 71			
REV. A58 - 72			
REV. A59 - 73			
REV. A60 - 74			
REV. A61 - 75			
REV. A62 - 76			
REV. A63 - 77			
REV. A64 - 78			
REV. A65 - 79			
REV. A66 - 80			
REV. A67 - 81			
REV. A68 - 82			
REV. A69 - 83			
REV. A70 - 84			
REV. A71 - 85			
REV. A72 - 86			
REV. A73 - 87			
REV. A74 - 88			
REV. A75 - 89			
REV. A76 - 90			
REV. A77 - 91			
REV. A78 - 92			
REV. A79 - 93			
REV. A80 - 94			
REV. A81 - 95			
REV. A82 - 96			
REV. A83 - 97			
REV. A84 - 98			
REV. A85 - 99			
REV. A86 - 100			

SYNERGY'S  
 VALBORES ALLE 796  
 2800 BANGSBOULEVARD  
 DENMARK

**RotoForce-3**  
 CIRCUIT DIAGRAM

Scale: 1:1  
 Date: Thursday, June 08, 2000

Sheet: 1 of 1



3

2

1

A

B

C

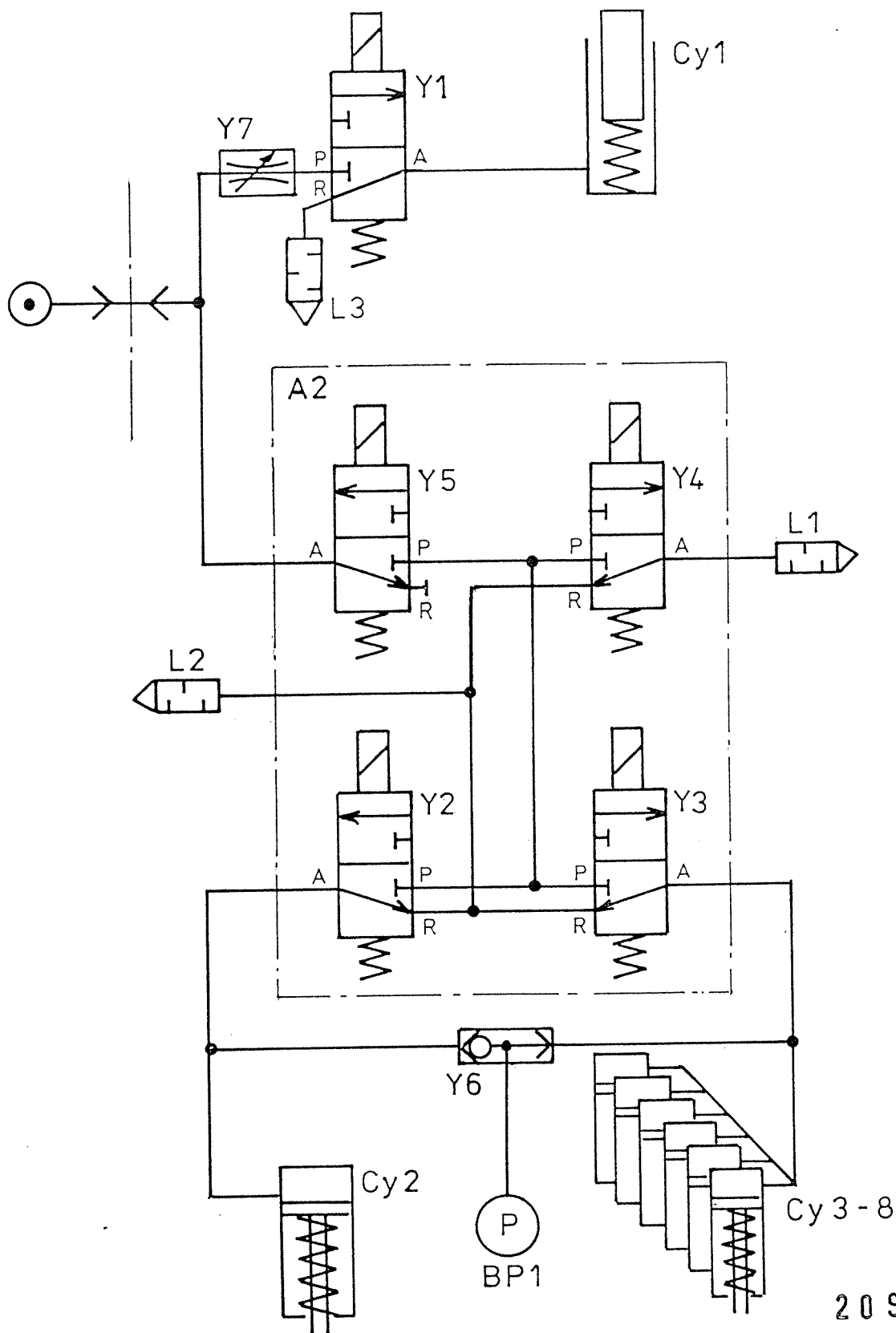
D

A

B

C

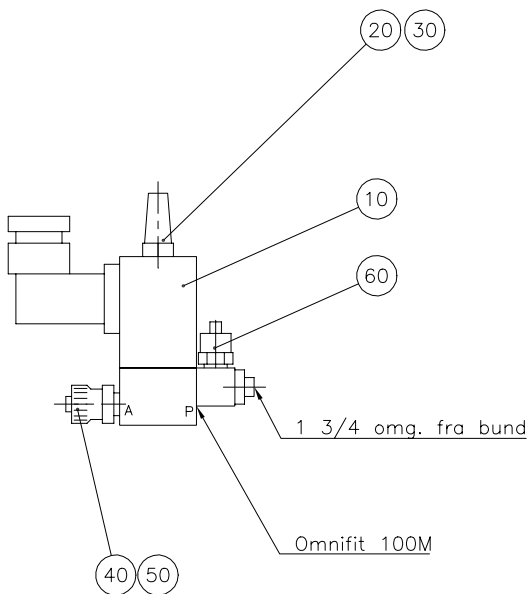
D


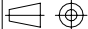


20 SEP. 1994

Matr.		Målestok:							
		Ikke ang. tolerancer: ±	Overfl.-behandl.						
		Ikke ang. ruheder:	Ja <input type="checkbox"/> Nej <input type="checkbox"/>						
P+R+A tilf. v. Y1 21/12.92 BJ/		Kode	Anv. i type:						
Y8 → L3 BJ/ 23.10.91 Ovt		Pneumatic diagram Pedemat / Rotoforce -4							
R: Y7 for Y1. Y8 ny 1 1/4 q1 B		Erst.: 147906000							
		<table border="1"> <tr> <td>Dato</td> <td>Sign.</td> </tr> <tr> <td>Tegn. 10/691</td> <td>BMJ</td> </tr> <tr> <td>Kontr. 10/6-91</td> <td>FFV</td> </tr> </table>		Dato	Sign.	Tegn. 10/691	BMJ	Kontr. 10/6-91	FFV
Dato	Sign.								
Tegn. 10/691	BMJ								
Kontr. 10/6-91	FFV								





	Matr.:	Overfl.beh.:	Målforhold:	Ikke ang. tol. efter DS/ISO 2768-	
		Projektionsmetode	1:1	Date	Sign.
				Tegn:	060991
	Magnetventil mont.		Erst.:		
F. CAD tegn.; Omnifit og 1 13/4 omg. tilf. 060996 BRY			14790200F		

X1: 10 pol. klemrække m. fatning

Ledninger afklippes ca. 130mm

L2: Lyddcemper 2931 - M5  
Pakning O - M5

Y2-Y5: 3/2 Magnetventil 12VDC


L1: Lyddcemper 2931 - M5  
Pakning O - M5

2 - Påstikskobl. 1511 - 5/3 - M5  
3 - Pakning O - M5  
1 - Lynkobl. 6511 - 5 - M5

14790215

5 - MC5x6  
5 - Pakning O - M5

14 DEC. 1994

Matr.		Målestok: 1:1								
		Ikke ang. tolerancer: ±	Overfl.-behandl. Ja <input type="checkbox"/> Nej <input type="checkbox"/>							
		Ikke ang. ruheder:	<table border="1"> <tr> <td></td> <td>Dato</td> <td>Sign.</td> </tr> <tr> <td>Tegn.</td> <td>14/6.91</td> <td>B3</td> </tr> <tr> <td>Kontr.</td> <td>2/7.91</td> <td>Over</td> </tr> </table>		Dato	Sign.	Tegn.	14/6.91	B3	Kontr.
	Dato	Sign.								
Tegn.	14/6.91	B3								
Kontr.	2/7.91	Over								
<p>C: 1-påstikskobl. → lynkobl. 12/12.94 B3/PTV</p> <p>B: 3-lynkobl. → 3-påstikskobl. 7/11.94 B3/PTV</p> <p>A: X4 rettet L1 X1 2/10.92 Klebetal fjernet B3/PTV</p>	Kode	Anv. i type:	Erst.:							
Modul: Magnetventiler Y2 - Y5			14790210C							

A

B

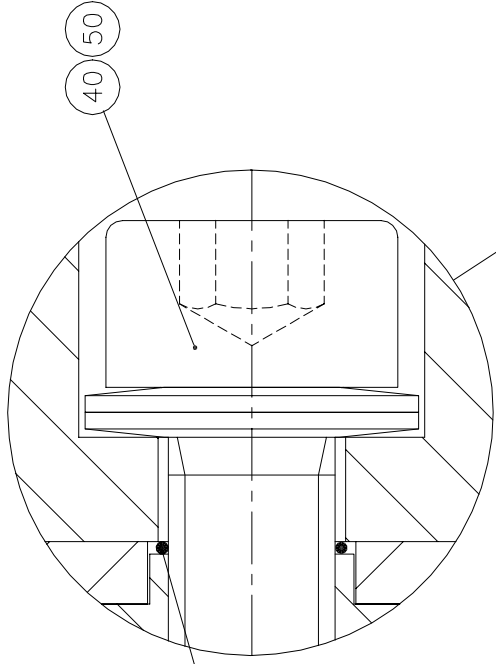
C

D

3

2

1

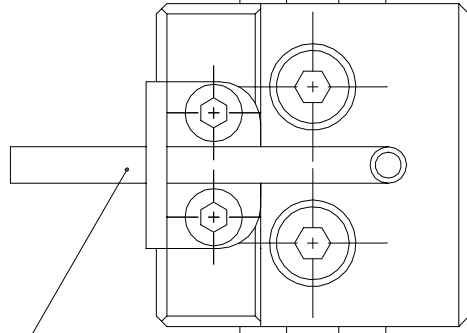


60

High vacuum grease

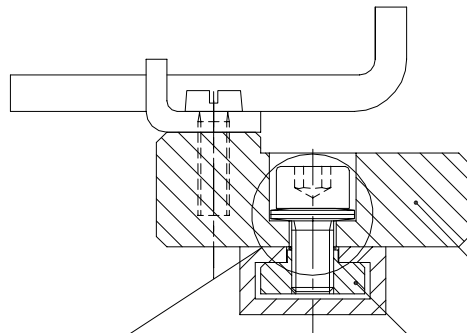
70 80

40 50



10

90 100 110



20

30

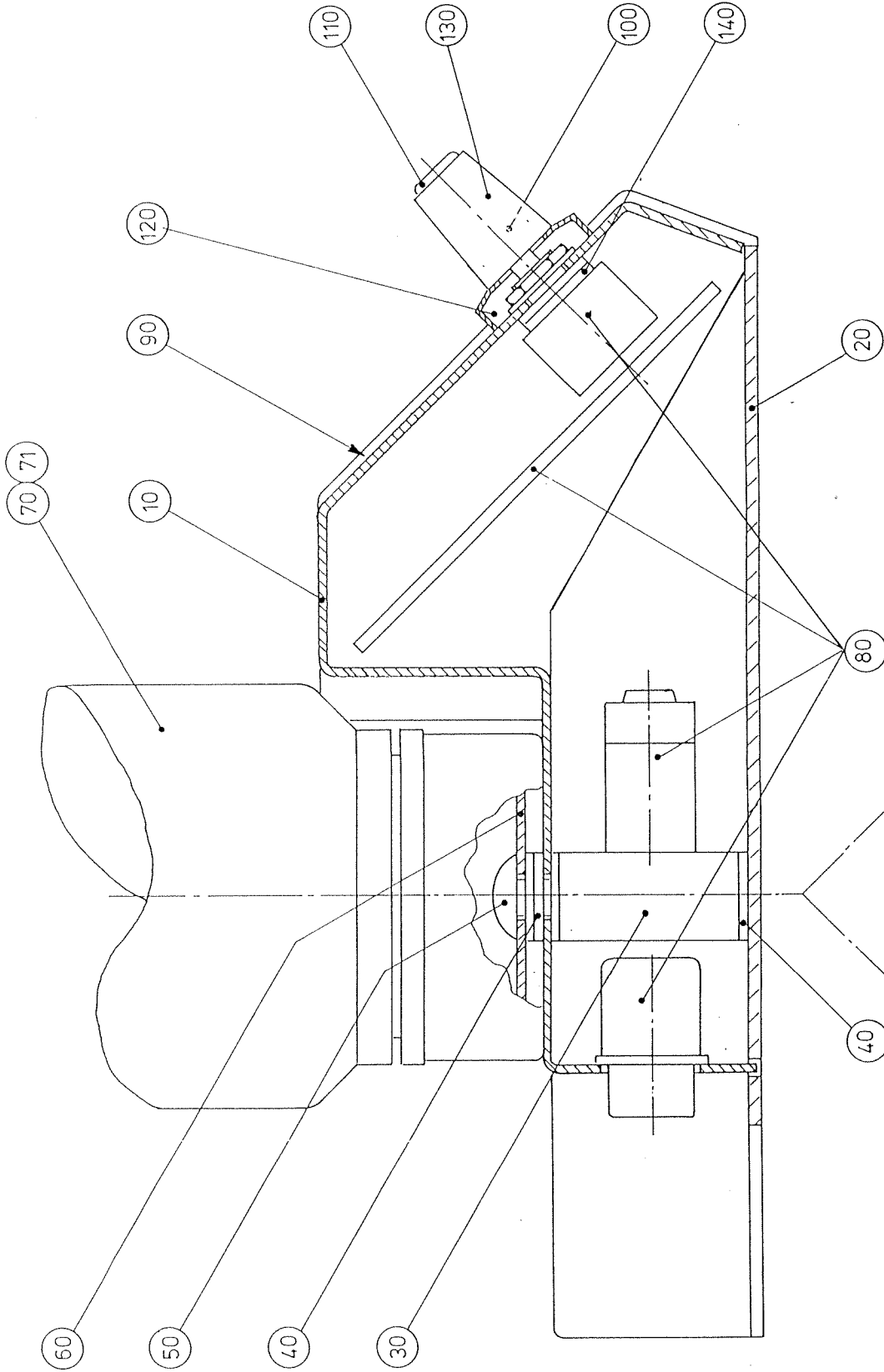
A: Feet ved pos.60. 040195 BRY.		B: Pos. 80 & 100, CHR skrue til MC skrue. 170796 PAP	
Matr.:	Overfl. beh.: Nej	Målforhold: 2:1	Ikke ang. tol. efter DS/ISO 2768-
<b>Struers</b>	Projektionsmetode		Dato
			Sign.
Ophæng, samlet		Tegn: 131094 BR	
		Kontr.	
		Erst.: 14600230B	

A

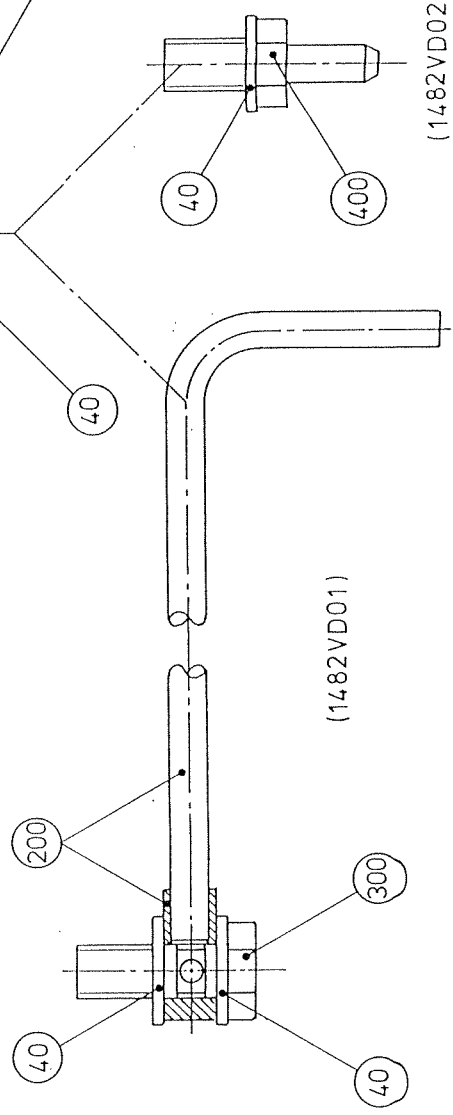
B

C

D



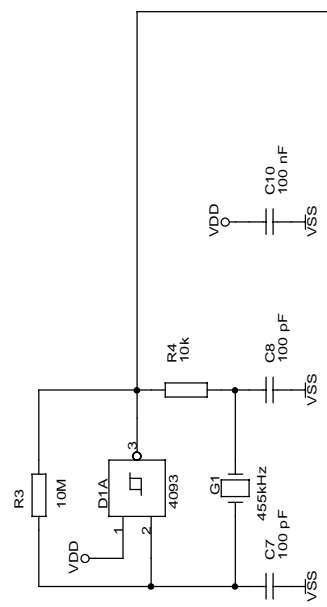
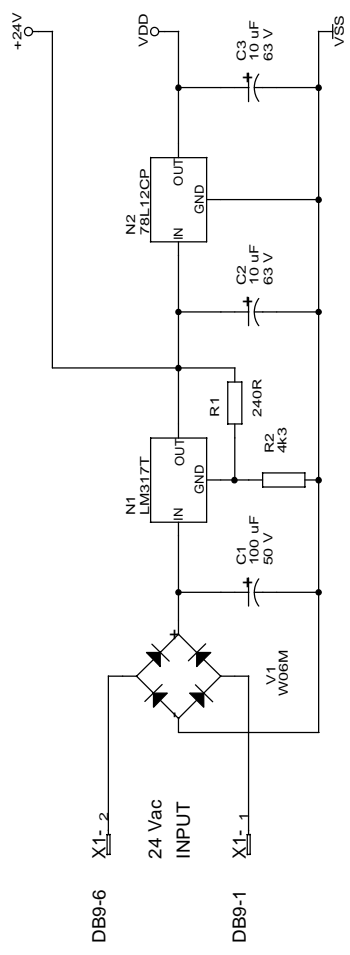
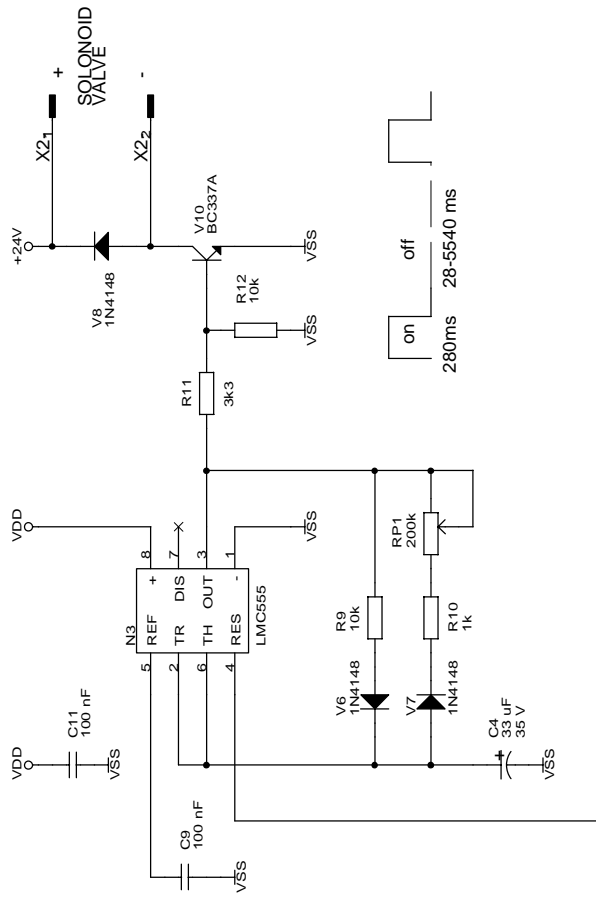
- 200 Omnifit 230 L
- 30 50 Omnifit 200M
- 30 300 Omnifit 100M
- 30 400 Omnifit 100M



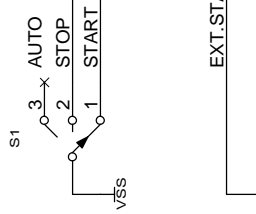
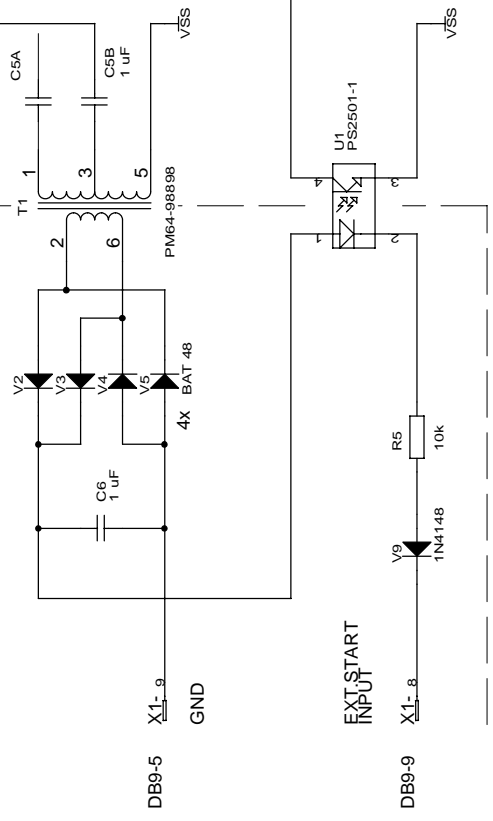
(1482VD01)

(1482VD02)

A: Tekstbør → pos. nummer S.V. 92 1455		B: Pos. nr. 71 tilføjet 07.07.95 DHC/AV	
Matr. _____ Målestok: _____			
	Ikke ang. tolerancer: ±	Overl. behandl. Ja <input type="checkbox"/> Nej <input type="checkbox"/>	Dato Sign. 17. 92 1455
	Ikke ang. ruheder:		Kontnr. 1455
Kode	Ans. / type:	Ebst:	
	Lupo, samlet	14820010 B	



**GALVANIC ISOLATION**



STJLERS A/S VALBOESALLE 176 DK-2610 ROEDOVRE DENMARK		LUBRIKATOR - LUPO PRINT NR. 2050365	
Size	CAGE Code	DWG NO	Rev
B			
Tuesday, September 11, 2001		FTH/FTH	1 of 1
		<b>14823100</b>	

Dansk

## Overensstemmelseserklæring

 Struers

**Fabrikant**

Struers A/S  
Valhøjs Allé 176,  
DK-2610 Rødovre, Danmark  
Telefon 36 70 35 00

erklærer herved, at

<i>Produkt navn:</i>	RotoForce-3
<i>Type nr.:</i>	524
<i>Maskintype:</i>	Prøvebevæger

er i overensstemmelse med følgende EU-direktiver:

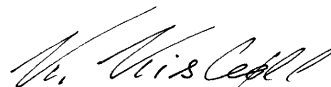
**Maskindirektivet** 89/392/EØF og 91/368/EØF og 93/44/EØF efter følgende norm(er):  
EN292-1:1991, EN292-2:1991, EN60204-1:1992.

**EMC-direktivet** 89/336/EØF og 92/31/EØF efter følgende norm(er):  
EN50081-1:1991, EN50082-1:1992.

**Lavspændingsdirektivet** 73/23/EØF og 93/68/EØF efter følgende norm(er):  
EN60204-1:1992.

**Supplerende oplysninger** Endvidere overholdes de amerikanske normer:  
FCC part 15, subpart B og UL508

Ovenstående overensstemmelse(r) er erklæret iflg. den globale metode, modul A



Dato: 30.12.1996

Klaus Kisbøll, udviklingschef, Struers A/S

English

## Declaration of Conformity

 Struers

**Manufacturer**

Struers A/S  
Valhøjs Allé 176  
DK-2610 Rødovre, Denmark  
Telephone 36 70 35 00

Herewith declares that

<i>Product Name:</i>	RotoForce-3
<i>Type No:</i>	524
<i>Machine Type:</i>	Specimen mover

is in conformity with the provisions of the following directives:

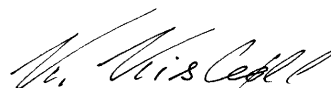
**Safety of Machinery** 89/392/EEC and 91/368/EEC and 93/44/EEC according to the following standard(s):  
EN292-1:1991, EN292-2:1991, EN60204-1:1992.

**EMC-Directive** 89/336/EEC and 92/31/EEC according to the following standard(s):  
EN50081-1:1991, EN50082-1:1992.

**Low Voltage Directive** 73/23/EEC and 93/68/EEC according to the following standard(s):  
EN60204-1:1992.

**Supplementary Information** The equipment complies with the American standards:  
FCC part 15, subpart B and UL508.

The above has been declared according to the global method, module A



Date: 30.12.1996

Klaus Kisbøll, R&D Manager, Struers A/S

**Hersteller** Struers A/S  
Valhøjs Allé 176,  
DK-2610 Rødovre, Danmark  
Telefon 36 70 35 00

erklärt hiermit, daß

<i>Produktname:</i>	RotoForce-3
<i>Typennr.:</i>	524
<i>Maschinenart:</i>	Probenbeweger

konform ist mit den einschlägigen EG-Richtlinien

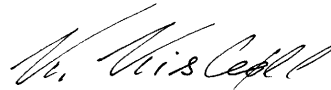
**Sicherheit der Betriebsanlage** 89/392/EWG und 91/368/EWG und 93/44/EWG gemäß folgender Normen: EN292-1:1991, EN292-2:1991, EN60204-1:1992.

**EMC-Direktive** 89/336/EWG und 92/31/EWG gemäß folgender Normen: EN50081-1:1991, EN50082-1:1992.

**Niederspannungs - Direktive** 73/23/EWG und 93/68/EWG gemäß folgender Normen: EN60204-1:1992.

**Ergänzungs- information** Die Maschine entspricht ebenfalls den amerikanischen FCC Normen: FCC Teil 15, Abschnitt B und UL508

Die obenstehende Konformität ist in Folge der globalen Methode, Modul A erklärt



Datum: 30.12.1996

Klaus Kisbøll, Entwicklungsleiter, Struers A/S

**Fabricant** Struers A/S  
Valhøjs Allé 176  
DK-2610 Rødovre, Denmark  
Téléphone 36 70 35 00

Déclare ci-après que

<i>Nom du produit:</i>	RotoForce-3
<i>Type no:</i>	524
<i>Type de machine:</i>	Porte échantillon

est conforme aux dispositions des Directives CEE suivantes:

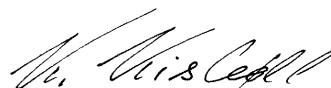
**Sécurité des machines** 89/392/CEE et 91/368/CEE et 93/44/CEE conforme aux normes suivantes: EN292-1:1991, EN292-2:1991, EN60204-1:1992.

**Directive EMC** 89/336/CEE et 92/31/CEE conforme aux normes suivantes: EN50081-1:1991, EN50082-1:1992.

**Directive de basse tension** 73/23/CEE et 93/68/CEE conforme aux normes suivantes: EN60204-1:1992.

**Informations supplémentaires** L'équipement est conforme aux standards américains: FCC paragraphe 15, sous-paragraphe B et UL508.

La déclaration ci-dessus a été faite d'après la méthode globale, module A



Date: 30.12.1996

Klaus Kisbøll, Chef du service developpement, Struers A/S