

# Duramin-40

## Instruction Manual



Manual No.: 16607001  
Revision D

Date of Release 2018.01.16



*Duramin-40*  
*Instruction Manual*

**Important**

READ the instruction manual carefully before use.  
Keep a copy of the manual in an easy-to-access place  
for future reference.

**Intended use:**

Automatic Micro/Macro hardness tester for Automatic Micro/Macro hardness testing of solid materials.

The machine is designed to be used with indenters specially designed for this purpose and fixed in the turret of the motorized test head. Samples are secured on a fixed anvil or optional motorized XY-stage.

For load ranges 10 gf-10 kgf, 10 gf-31.25 kgf, and 1 gf-62.5 kgf

The hardness tester meets the applicable DIN, ISO-EN, ASTM and JIS standards.

The machine is for use in a professional working environment (e.g. a materialography laboratory).

**Models:**

Duramin-40 M1/M2/M3

Duramin-40 A1/A2/A3

Duramin-40 AC1/AC2/AC3

*Duramin-40*  
*Instruction Manual*



## Duramin-40 Safety Precaution Sheet

### To be read carefully before use

1. The operator(s) must read the Safety and User's Guide sections of this manual and the relevant sections of the manuals for any connected equipment and accessories.

#### **WARNING**

Ignoring this information and mishandling of the equipment can lead to severe bodily injuries and material damage.

2. The machine must be installed in compliance with local safety regulations.
3. The machine must be placed on a safe and stable support. Failure to do so can affect the proper working and cause the equipment to fall down and/or cause accidents and injuries. All safety functions and guards of the machine must be in working order.
4. Do not modify this equipment. Doing so can cause fire and/or electric shock.
5. Do not twist or damage the power cords. Damaged power cords can cause fire and/or electric shock.
6. Do not disassemble this equipment. Doing so can cause electric shock.
7. Do not operate the equipment at a voltage other than the power voltage that is indicated. Doing so can cause fires.
8. Do not allow the machine to become wet. Fires can occur if water gets inside the equipment.  
If water or other liquid does get inside the equipment, turn off the power to the equipment's main unit, disconnect the power supply, and call technical service.
9. If malfunctions, smoke or unusual noises are observed - turn off the power, disconnect the power supply and call technical service.
10. Do not connect/ disconnect power with wet hands. Doing so can result in electric shock.

*Duramin-40*  
*Instruction Manual*

- 11.** Disconnect the power supply prior to any cleaning, maintenance or service.  
Failure to do so can result in electric shock.
- 12.** Do not block the ventilation. Blocking the ventilation can cause heat to accumulate inside the machine, which in turn, can generate fire.
- 13.** Do not open any panel on the machine.  
High voltages exist inside the machine and may cause electrical shocks to personnel.

---

The equipment should only be used for its intended use and as detailed in the Instruction Manual.

The equipment is designed for use with accessories supplied by Struers. If subjected to misuse, improper installation, alteration, neglect, accident or improper repair, Struers will accept no responsibility for damage(s) to the user or the equipment.

Dismantling of any part of the equipment, during service or repair, should always be performed by a qualified technician (electromechanical, electronic, mechanical, pneumatic, etc.)

---

## Icons and typography

The following icons and typographic conventions are used in this instruction manual:

### Icons and Safety Messages



#### **ELECTRICAL HAZARD**

indicates an electrical hazard which, if not avoided, will result in death or serious injury.



#### **DANGER**

indicates a hazard with a high level of risk which, if not avoided, will result in death or serious injury.



#### **WARNING**

indicates a hazard with a medium level of risk which, if not avoided, could result in death or serious injury.



#### **CAUTION**

indicates a hazard with a low level of risk which, if not avoided, could result in minor or moderate injury.



#### **CRUSHING HAZARD**

indicates a crushing hazard which, if not avoided, could result in minor, moderate or serious injury.

### General Messages



#### ***Important or Note***

indicates a risk of damage to property, or the need to proceed with special care.



#### ***Information or Tip***

indicates additional information and tips.

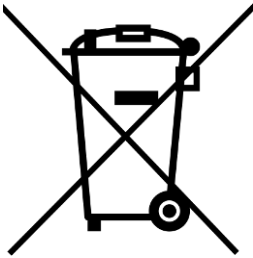
## Colour Inside Logo




The 'colour inside' logo on the cover page of this Instruction Manual indicates that it contains colours which are considered to be useful for the correct understanding of its contents. Users should therefore print this document using a colour printer.

## Typographic conventions

<b>Bold type</b>	indicates button labels or menu options in software programs
<i>Italic type</i>	indicates product names, items in software programs or figure titles
■ Bullets	indicates a necessary work step



## Disposal

Equipment marked with a WEEE symbol  contain electrical and electronic components and must not be disposed of as general waste.

Please contact your local authorities for information on the correct method of disposal in accordance with national legislation.



<b>Table of Contents</b>	<b>Page</b>
<b>1. Getting Started</b>	
Unpacking Duramin-40.....	10
Location .....	11
Lifting Duramin-40.....	12
Placing Duramin-40.....	13
Levelling.....	13
Removing the Lifting Bar .....	13
Removing the Transport Plate.....	14
Checking the Contents .....	15
Getting Acquainted with Duramin-40 .....	16
USB Drive and WiFi Adapter .....	18
Rear plate .....	18
Noise Level .....	18
Power Supply .....	19
Connecting the Tester .....	19
Assembling the Monitor.....	20
Connecting the Monitor .....	21
Installing an XY Stage .....	22
<b>2. Basic Operations</b>	
Front Panel Controls .....	23
Software.....	24
Start-up .....	24
Overview Screen.....	26
Main Menu .....	27
Test Result Window .....	27
Test Settings.....	27
Additional Results Window.....	27
Dashboard Controls .....	28
<b>3. Maintenance</b>	
General Cleaning .....	29
Daily Maintenance.....	29
Weekly Maintenance.....	29
Cleaning Surfaces.....	29
Weekly Inspection.....	29
Yearly Maintenance .....	29
Replacing the Fuse .....	30
Calibration.....	30
<b>4. Struers Knowledge</b> .....	31
<b>5. Trouble-Shooting</b> .....	32
<b>6. Transport</b> .....	33
<b>7. Technical Data</b> .....	34

## 1. Getting Started

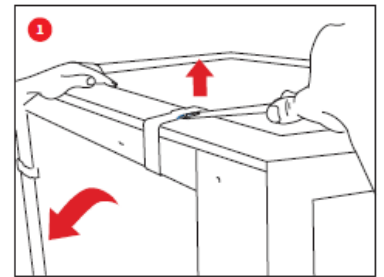
### Unpacking Duramin-40

**Important**

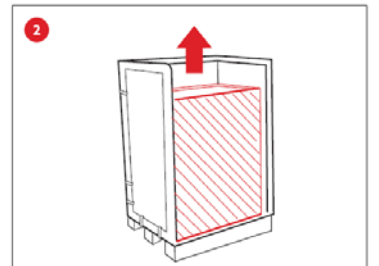
Refer to the **HOW TO UNPACK** instructions delivered with Duramin.

**Take care** whilst handling Duramin.  
Do not expose to external impact.  
Do not tilt over 30 degrees.  
Do not touch the turret.

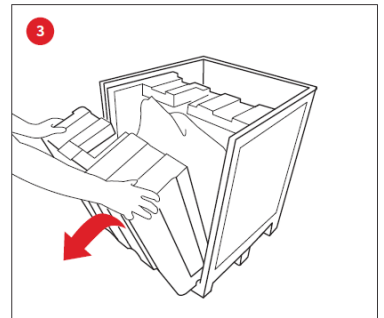
- Carefully open and remove the top of the packing crate.



- Remove one side of the packing crate.
- Remove the monitor, accessories case and other loose items.
- Carefully lift the foam pieces to access Duramin.



**Store the packing crate and foam packaging for use whenever Duramin is transported/re-located. Failure to use the original packaging and fittings could cause severe damage to the tester and will void the warranty.**

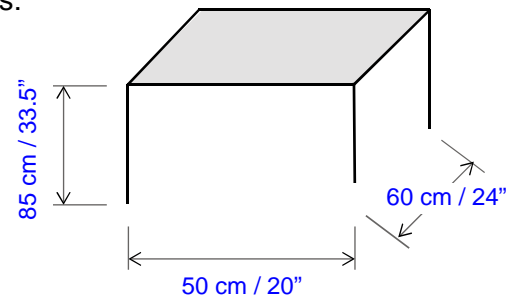


- Remove the plastic covering.

## Location

- Duramin must be placed close to the power supply.
- Duramin is designed to be placed on a rigid, stable workbench with a horizontal surface.  
The workbench must be able to carry at least 130 Kg / 280 lbs.

Minimum workbench dimensions:



To take advantage of the maximum spindle capacity, a hole must be drilled in the table top to accommodate the full stroke of the spindle. Please refer to the *Drilling Plan* for dimensions.

## Vibration-free Location

- Install Duramin in a vibration-free location.



### **Important**

Vibrations can lead to inaccurate measurements and must be avoided.

A simple way of detecting vibrations is to set up a tray of water and watch for ripples on the surface.



### **Information**

Sources of vibration can include:

Passers-by (persons walking past), a road with heavy traffic, cranes, equipment generating vibrations, equipment generating sound (acoustic vibration), exposure to wind or air conditioning fans.

If possible, install the hardness tester on the ground floor of a building and away from exits or doorways.

## Lifting Duramin-40

A crane and lifting straps are required to lift the machine from the packing crate. The crane should have a minimum lifting capacity of 100 kg.



***Important***

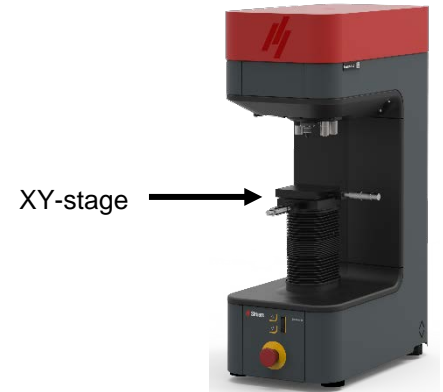
**Take care** whilst handling Duramin.  
Do not expose to external impact.  
Do not tilt over 30 degrees.  
Do not touch the turret.

- Check that the crane has a free pathway from the lifting point to the final location.
- Place the lifting straps securely around the lifting bar.
- Carefully lift Duramin out of the packing crate.
  
- Check whether the 4 adjustable vibration dampers are installed. If not,
  - Mount the dampers and adjust the height of the damper so that they are of equal height.
  - Place Duramin-40 into its final location

## Placing Duramin-40 Levelling

To eliminate possible wear and tear of the tester's mechanical structure, the tester should be levelled once it is in its final location.

- Check that the XY-stage is level.



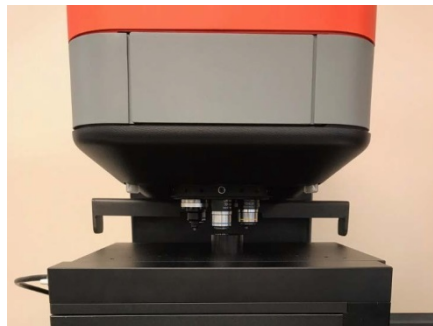
If not,

- Turn the vibration damper in the rear right hand corner, to level the XY-stage.



## Removing the Lifting Bar

- Support the lifting bar and remove the screws and washers from both sides of the bar.



**Important**  
Keep the lifting bar, screws and washers for use whenever the machine is to be relocated.

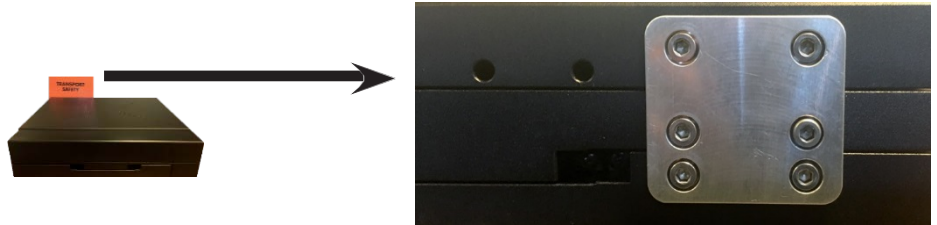
*Removing the Transport Plate*  
(Motorized XY-stage option only)

- Remove the transport safety **before** turning on the tester. The motorized XY-stage will automatically move to perform a reference search on initialization.



**Important**  
Damage to the stage will result if the tester is switched on with the transport safety plate mounted.

- Unscrew the six screws securing the transport safety plate at the rear.
- Keep the plate and screws for use whenever the machine is to be relocated.



## Checking the Contents

In the packing crate you should find the following parts:

- 1 Duramin-40 (Hardness Tester)
- 1 Accessories Case
- 1 15" Monitor (2<sup>nd</sup> monitor optional)
- 1 Keyboard (Option)
- 1 Mouse (Option)

### Accessories Case Standard Accessories



- Indenter(s) and objective lens(es)
- 1 Wireless Mouse and keyboard (Option)
- 2 Power cables
- 1 USB cable to monitor
- 1 HDMI to DVI cable
- 1 Spare fuse
- 1 Certificate of calibration on USB
- 1 USB Wi-Fi Adapter
- 1 Cables for motorized XY-stage (Option)
- 1 ASUS Bluetooth dongle (Option)

### Optional Accessories

Please consult your order confirmation to check that all the accessories ordered are included in the delivery.



#### **Information**

Some components or parts may be packaged separately and may not be included in the accessory case or may have been installed on the hardness tester.



#### **Information**

The actual packaging and accessories may appear different to those shown in the picture.

**Getting Acquainted  
with Duramin-40**

Take a moment to familiarise yourself with the location and names of the Duramin-40 components.



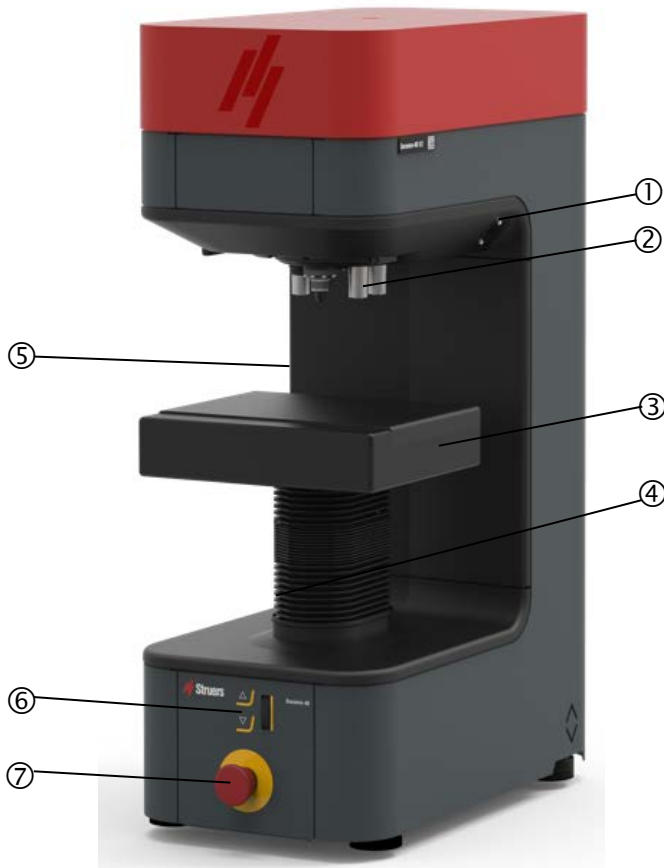
15" LCD monitor  
touchscreen

Tester

Wireless keyboard & mouse (Option)

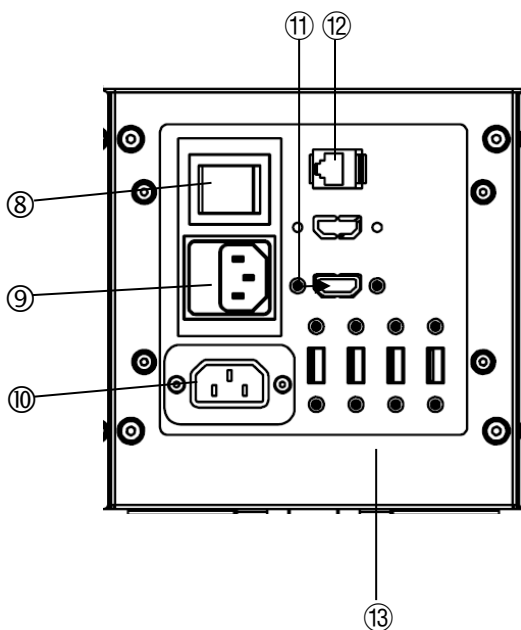


Hardness Tester Body



- ① USB port
- ② 6 position turret
- ③ XY-stage
- ④ Spindle cover
- ⑤ Connection for motorized XY-stage
- ⑥ Z-axis & focus control
- ⑦ Emergency stop

Power Connections



- ⑧ Main power switch
- ⑨ Main power connection / Fuse
- ⑩ Power connector to monitor
- ⑪ HDMI connector to monitor
- ⑫ Network (RJ-45 LAN connection)
- ⑬ USB connections to monitor and receiver for keyboard and mouse

*USB Drive and WiFi Adapter*



The USB drive contains direct and indirect calibration documents.



The USB WiFi Adapter allows for cable free communication with the Duramin.

*Rear plate*

Information on the model number, serial number, weight, date of manufacture, and power requirements can be found on the type plate on the back of the machine.

**Noise Level**

Less than 70<sup>1</sup> dB (A) measured at idle running, at a distance of 1.0 m/39.4" from the machine.

Use hearing protection if exposure to noise exceeds levels set by local regulations.

---

<sup>1</sup> "The figures quoted are emission levels and are not necessarily safe working levels. Whilst there is a correlation between the emission and exposure levels, this cannot be used reliably to determine whether or not further precautions are required. Factors that influence the actual level of exposure of the workforce include the characteristics of the workroom and the other sources of noise, i.e. the number of machines and other adjacent processes and the length of time for which an operator is exposed to the noise. Also, the permissible exposure level can vary from country to country. This information, however, will enable the user of the machine to make a better evaluation of the hazard and risk."  
(ref. EN ISO 16089:2015)

## Power Supply

### Connecting the Tester

Always remember to switch the power off when installing electrical equipment!



#### ELECTRICAL HAZARD

- The machine must be earthed.
- Check that the mains voltage corresponds to the voltage stated on the type plate on the side of the machine. Incorrect voltage may result in damage to the electrical circuit.

Duramin-40 is shipped with 2 types of Mains cables:



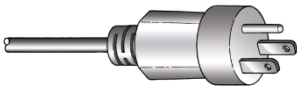
The 2-pin (European Schuko) plug is for use on single-phase connections.

If the plug supplied on this cable is not approved in your country, then the plug must be replaced with an approved plug. The leads must be connected as follows:

Yellow/green: earth (ground)

Brown: line (live)

Blue: neutral



The 3-pin (North American NEMA 5-15P) plug is for use on single-phase connections.

If the plug supplied on this cable is not approved in your country, then the plug must be replaced with an approved plug. The leads must be connected as follows:

Green: earth (ground)

Black: line (live)

White: line (live)

### Connection to the Machine



- Connect the power cable to the machine. (IEC 320 connector).
- Connect to the mains power supply.

## Assembling the Monitor

Contents of the monitor box:

- 1 monitor with base
- 1 power cord adapter
- 1 USB cable, and European power cords.



### **Information**

The dual monitor option will be delivered with 2 monitor boxes.

- Remove the monitor's rear panel.
- Slide the panel off to expose the connection ports.



- Remove the two black plastic pieces around the monitor stand joint.
- Adjust the stand angle.  
If necessary loosen the two nuts around the joint using a 13 mm hexagonal wrench.



- Lay the monitor face down on a flat surface.
- Unscrew the four screws on the rear of the monitor.

- Position the stand on the back of the monitor and line up the four holes with the four screw holes.  
Check that the label **TOP** will be at the top of the monitor when it is upright.
- Tighten the four screws to attach the monitor to the stand.

### Connecting the Monitor

- Plug the USB cable into the USB port, HDMI cable to the DVI port, and the power cord adapter to the power port on the rear of the tester.
- Check that all plugs are connected correctly and replace the rear panel of the monitor.

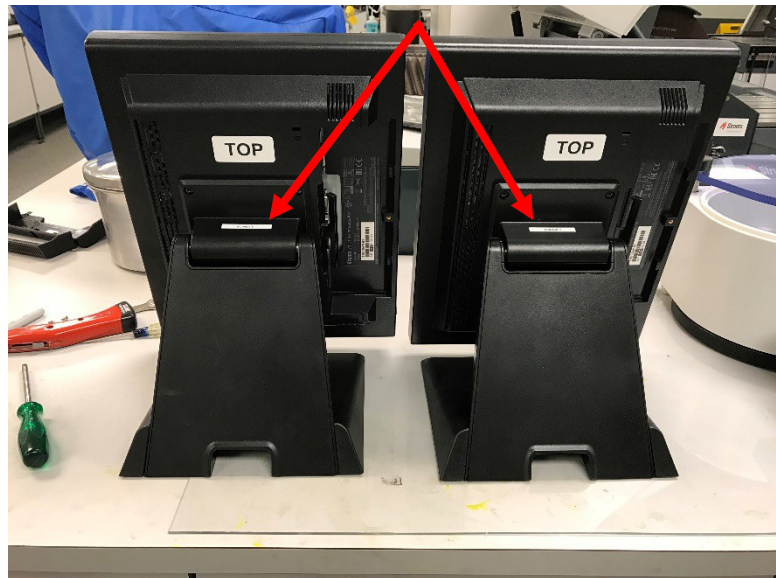


#### **Important**

Only monitors supplied by Struers may be connected to Duramin.  
Failure to adhere to this may result in material damage.

### Dual Monitor Option

The monitors will be labeled *Screen L* and *Screen R*.  
The ports at the rear of the Duramin will also be labelled *Screen L* and *Screen R*.



- Connect the correct USB and HDMI cables to the corresponding Screen L and Screen R ports.
- The power cable for the 2<sup>nd</sup> monitor must be plugged into a mains power socket.  
The mains power socket must be easily accessible and located between 0.6 m - 1.9 m (2½" – 6') above floor level. (An upper limit of 1.7 m (5' 6") is recommended).

## Installing an XY Stage



### **Information**

The XY-stage is usually delivered already mounted on the machine.



### **Important**

Switch Duramin OFF at the mains when installing or /removing an XY-stage. Failure to comply may result in damage to the tester.

- Move the spindle to its top position.
- Use a soft cloth to wipe any dirt or debris from the mat surfaces of the dovetail connection.
- Carefully slide the stage into the dovetail connection.
- Tighten the fixation screw to secure the stage in place.
- Connect the cable to the motorized XY-stage and to the connection on the machine.

Connection for  
motorized XY-stage



- Perform a few hardness tests on a test block to securely seat the stage.

The Duramin software must be configured correctly when a motorized XY-stage is mounted or removed.



### **Important**

The range of force that can be applied is limited when using an XY-stage. Check that XY-stage is set to **On** in the Duramin software. Failure to do so may result in overload and possible damage to the stage. Excessive overload may result in irreparable damage!

## 2. Basic Operations

### Front Panel Controls



#### MAIN SWITCH

The main switch is located on the rear of the machine.  
The main switch will be illuminated when the power is turned on.



The EMERGENCY STOP is located on the front of the machine.  
Emergency Stop

- Push the red button to Activate.
- Turn the red button clockwise to Release.



#### **Important**

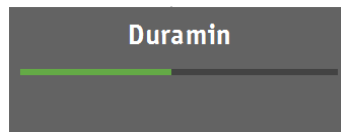
Do not use the Emergency stop for operational stop of the machine during normal operation.  
BEFORE releasing (disengaging) the Emergency stop, investigate the reason for activating the Emergency stop and take any necessary corrective action.

## Software

Duramin-40 is operated through the Duramin software. A short description of the software is included in this manual. Please refer to the Duramin software manual for a detailed description of the software functions.

## Start-up

- Switch Duramin-40 on using the main switch at the rear. The Duramin software will initialize and the following progress bar will appear on the monitor:



### **Tip**

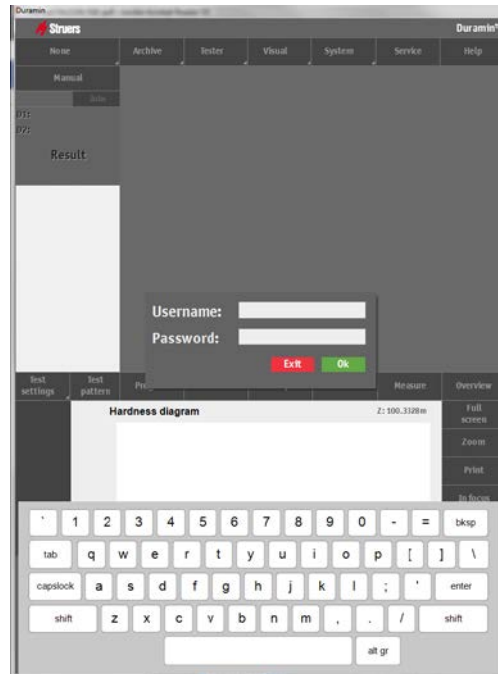
Make sure that the emergency stop is not activated during start-up.

If the emergency stop is activated during start-up, a failure message will appear.

- Release the emergency stop.
- Press **System**, then **Exit**.
- Switch Duramin Off using the Main switch, then switch on again to start initialization.



The following screen will appear on the monitor.



**Information**

The actual screen may appear different depending on the configuration and model of the Duramin-40.

- Push gently in the middle of the designated buttons for tester operation. Do not use force. Do not use sharp objects.

Alternatively, use the external keyboard and mouse to operate Duramin-40.

- Enter the *Username* and *Password*.  
When Duramin is used for the first time, the default will be:  
**Username:** Admin  
**Password:** none
- Press **Ok**.



**Tip**

The default username is not case sensitive.

For instructions on how to add new users, please refer to the Software manual.

**Overview Screen**

The overview screen is primarily divided into 5 main areas.

- Main menu
- Test result
- Objective view
- Test settings with Additional results
- Dashboard Controls

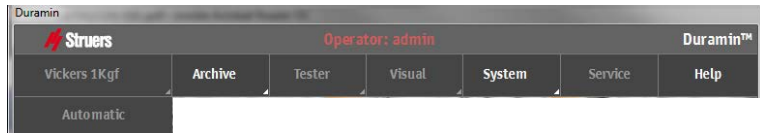
The screenshot shows the Duramin software interface. On the left, arrows point to specific areas of the screen:

- Main Menu:** Points to the top navigation bar containing 'Vickers 1Kgf', 'Archive', 'Tester', 'Visual', 'System', 'Service', and 'Help'.
- Test result:** Points to the 'Results' section on the left, which displays 'D1: 0.0507 mm', 'D2: 0.0507 mm', and a large green box with '721.87 HV1'.
- Objective view:** Points to the central image showing a diamond-shaped indenter on a metal surface.
- Test settings:** Points to the 'Test settings' button in the bottom control panel.
- Additional results:** Points to the 'Chd diagram' graph, which plots Hardness (195 to 745) against Depth (mm) (0 to 4.4). The graph shows a red line with data points and a dashed horizontal line at HV 525. A 'CHD 2.68' label is present on the graph.
- Dashboard Controls:** Points to the bottom control panel, which includes a rotary knob with 'AH', '3', '200X', '500X', '20X', and 'HK' settings, and a grid of directional and function buttons.

# Duramin-40 Instruction Manual

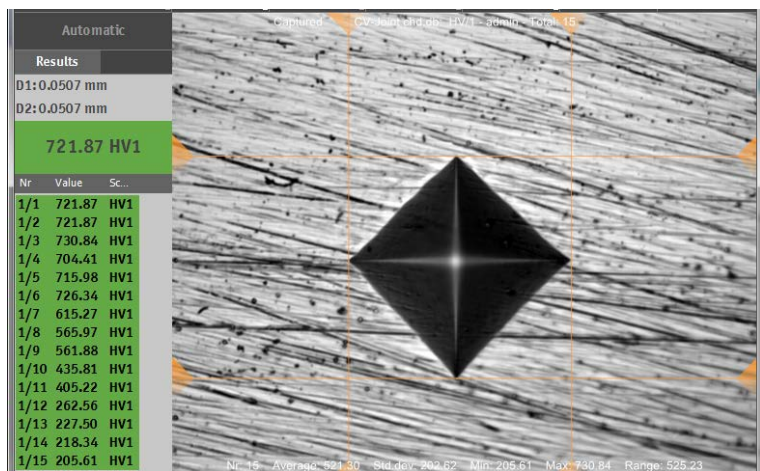
## Main Menu

The *Main Menu* is used to select the test method and scale required as well as adjusting settings and other functions.



## Test Result Window

The *Test Result Window* shows an image of the indent (or the indent pattern) and a list of the indents performed.



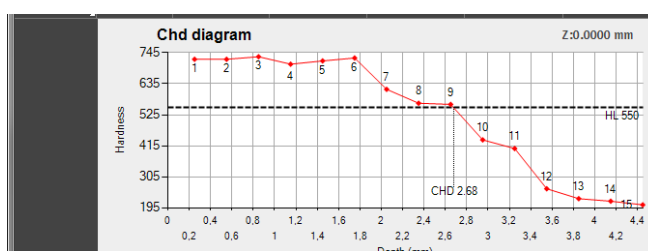
## Test Settings

The *Test Settings* menus are used to select test patterns and to perform additional functions.



## Additional Results Window

The *Additional Results Window* shows an illustration of the results obtained.



### Dashboard Controls

The *Dashboard Controls* are used to move the turret and select the indenter or objective to be used, fine positioning of the spindle light controls and to start the indentation process.



#### **Information**

Please refer to the [Duramin Software manual](#) for a detailed description of the software and its functions.

### 3. Maintenance

#### General Cleaning

- Keep Duramin-40 as clean as possible. To ensure a longer lifetime for your equipment Struers strongly recommends regular cleaning.

#### Daily Maintenance Machine

- Clean all accessible surfaces with a soft, damp cloth.

**Tip**  
Do not use a dry cloth as the surfaces are not scratch resistant.  
Do not use aggressive or abrasive products.  
Grease and oil can be removed with ethanol or isopropanol.



**Important**  
Never use acetone, benzol or similar solvents.

#### Weekly Maintenance Cleaning Surfaces

- Clean painted surfaces and the control panel with a soft damp cloth and common household detergents.

#### Weekly Inspection

- Inspect the following parts before every hardness test or at least weekly.

Part	Attention	Action	Precaution
<b>Indenter</b>	Tip dirty	Wipe indenter	Do not bend the indenter shaft
<b>Objective or lens</b>	Lens surface polluted	Wipe lens	Do not scratch the objective or lens
<b>Anvil</b>	Rust	Remove rust	Do not bring the stage into contact with the turret.
<b>Test block</b>	Rusted	Replace test block	Do not use rusted test blocks

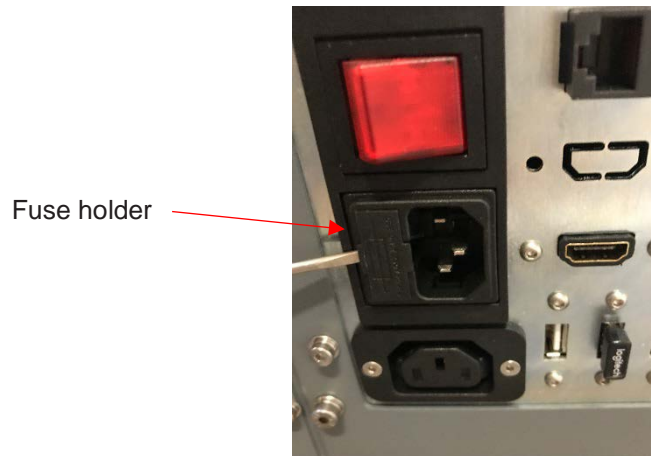
#### Yearly Maintenance

- Clean the elevator spindle and oil lightly with e.g. a universal household oil (do NOT lubricate the spindle with motor oil).
  - Carefully lift the spindle cover.
  - Wipe the spindle THOROUGHLY after lubrication so that as little as possible oil is left on the spindle.
  - Wipe the spindle again after a few days to ensure no oil residue is left on the spindle surface.

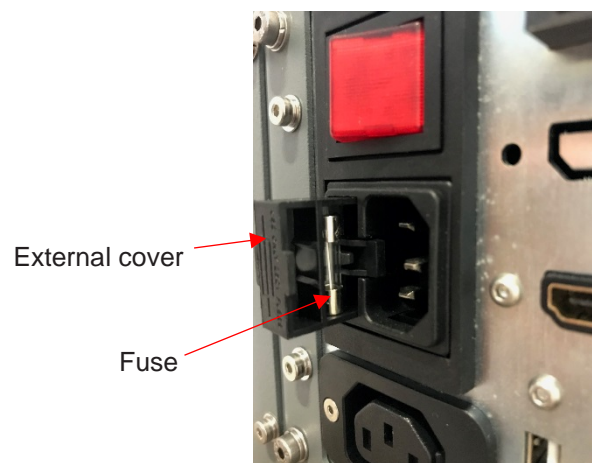
## Replacing the Fuse

The fuse holder is located directly under the power connection on the rear of Duramin-40.

- Turn Duramin-40 off.
- Disconnect the power cable.
- Pull out the fuse holder using a flat-head screwdriver.



- Take out the blown fuse and replace with the reserve fuse.



- Re-install the fuse holder.
- Re-connect the electric power cable.



**Tip**

Remember to order a new reserve.

## Calibration

Duramin-40's highly sensitive and accurate load cell and objectives are calibrated prior to shipping.

Please contact Struers Service should the load cell or objectives require recalibration.

## 4. Struers Knowledge

The need for fast, robust and well proven test methods for materials verification is inevitable. Vickers, Knoop, Rockwell and Brinell methods, with a countless number of loads and indenter geometries, gives an almost countless number of procedures, suitable for simple characterization of a large fraction of existing materials.

**Tip**

Visit the Struers Hardness testing website for a comprehensive introduction to the principles of hardness testing, useful troubleshooting tips and the latest application knowledge in the field.

Click on the link: [Struers - Ensuring Certainty / Knowledge / Hardness testing](#)

OR

Scan the QR code on the Duramin tag on your machine



## 5. Trouble-Shooting

Some of the minor malfunctions can be resolved by restarting the tester:

- Press **System**, then **Exit**.
- Click on the stop icon on the taskbar to shut down the embedded PC.



- Switch Duramin Off, then switch on again to start initialization.

Error	Explanation	Action
Start-up failure	The emergency stop is activated	- Release the emergency stop. - Restart the tester.
Max down reached!	The maximum down position of the force actuator has been reached.	
Motor failure!	Failure of force application motor.	- Restart the tester. If the error remains, contact Struers Service.
System not initialized!	Failure of Software communication.	- Restart the tester. If the error remains, contact Struers Service.
Failed to open connection to AUX on EURP AUX Virtual Com Port (COM3)	Failure of Software communication.	- Restart the tester. - Press <b>System</b> , then <b>Exit</b> . - Switch Duramin Off, then switch on again to start initialization. If the error remains, contact Struers Service.
Load motor is not in home position		- Press <b>Escape</b> . - Then press <b>Start</b> .  If this does not help, - Restart the tester. If the error remains, contact Struers Service.



## 6. Transport



***Important***

Read the following information before transporting Duramin.

The hardness testing machine must always be transported standing upright!

DO NOT ship or transport the tester without the correct packing materials.

**NB: Store the packing crate, foam packaging and fittings for use whenever Duramin is transported/re-located. Failure to use the original packaging and fittings could cause severe damage to the tester and will void the warranty.**

XY-Stage - Secure the transportation safety before moving the tester.

Turret – Position the foam block between the anvil/ stage and the turret.

DO NOT ship or transport the tester without mounting the lifting bar. This could cause severe damage to the testers load application system.

## 7. Technical Data

Subject		Specifications
<i>Electrical Data</i>	Power supply	100 V AC – 240 V AC, 50/60Hz, single phase
	Power consumption (load)	82 W
<i>Residual Current Circuit Breaker</i>	Type A, 30 mA is required.	
<i>Weight</i>	Duramin-40 M1/M2/M3	101 Kg/ 223 lbs
	Duramin-40 A1/A2/A3	112 Kg/ 247 lbs
	Duramin-40 AC1/AC2/AC3	112 Kg/ 247 lbs
<i>Operating Environment</i>	Noise level	Less than 70 dB (A) measured at idle running, at a distance of 1.0 m/39.4" from the machine.
	Surrounding temperature	10-35 °C / 40-105 °F Recommended: 21 ±3 °C / °F
	Humidity	10%-90% RH (Non-condensing) <b>Important</b> No condensation may form on the test unit
<i>Safety standards</i>	Please refer to the Declaration of Conformity	



**Information**

Please refer to the [Duramin-40 brochure](#) for further details.

English

## Declaration of Conformity

**Manufacturer**

Struers ApS  
 Pederstrupvej 84  
 DK-2750 Ballerup, Denmark  
 Telephone +45 44 600 800

**Herewith declares that**

<i>Name:</i>	Duramin-40
<i>Models:</i>	M1/M2/M3, A1/A2/A3, AC1/AC2/AC3
<i>Function:</i>	Hardness Tester
<i>Type No:</i>	660

**fulfils all the relevant provisions of the:**
**Machinery Directive  
 2006/42/EC**

according to the following standard(s):  
 EN ISO 12100:2010, EN ISO 13849-1:2008/AC:2009, EN ISO 13850:2008,  
 EN 60204-1:2006/AC:2010.

**and is in conformity with the:**
**EMC Directive  
 2014/30/EC**

according to the following standard(s):  
 EN 55011:2009/A1:2010, EN61326-1:2013, EN 61000-3-2:2014,  
 EN 61000-3-3:2013.

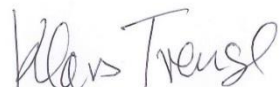
**RoHS Directive  
 2011/65/EU**

according to the following standard(s):  
 EN 50581:2012.

**Supplementary Information**

The equipment complies with the following standards:

The above has been declared according to the global approach, module A.

**Authorized to compile the Technical File:**


Klavs Tvenge  
 Director of Business Development  
 Struers ApS  
 Pederstrupvej 84  
 DK-2750 Ballerup, Denmark

Date of Issue: 2017.10.17



Pederstrupvej 84  
DK-2750 Ballerup  
Denmark